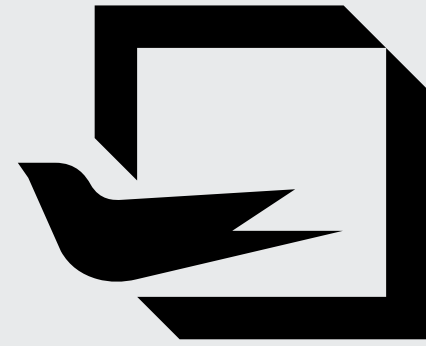


OptiPro

01



OPENING
NEW
HORIZONS

+29
years of experience

+55.000

square meters

+2.500

partners



Optimedia has been producing PVC and Aluminum joineries since 1994, amassing an impressive and modern production system. Since 2006, we have started exporting our products currently having more than 2.500 B2B partners worldwide.

OUR VISION:

To be a leader in the production of PVC and Aluminum joineries, offering support to all our partners. To achieve this, we have kept to our core principles, maintaining the quality of our products and the relationships with our partners as top priorities.

OUR MISSION:

To produce windows and doors that have certified and proven characteristics, manufactured and delivered to the highest market standards.



VEKA is a german manufacturer of high quality PVC profiles, present in the european, north-american and asian markets. Their recipe for success lies in the fact that VEKA is always close to their end customers, ensuring optimal adaptation to demand and local culture.

veka.com



PROFINE produces PVC profiles marketed under the KÖMMERLING brand. In 1954, the german company produced the very first PVC systems aimed at series production, patenting their coloured-profile extrusion technology in 1967 and the five-chambered profiles' one in 2000.

profine-group.com

deceuninck

Founded in 1937 in Belgium, DECEUNINCK is among the top 3 companies in the world when it comes to the production of windows & doors PVC profiles. Having 22 warehouses and distribution centers and 14 different extrusion plants, DECEUNINCK provides all its customers with great quality and varied products.

deceuninck.com



Although CORTIZO has established itself as a leader in the aluminum profile market, the spanish company also stands out as a producer of high-quality PVC profiles. Due to their exceptional chemical composition, CORTIZO PVC profiles meet the most demanding standards in terms of quality and performance.

cortizo.com



GUARDIAN GLASS is one of the largest and most innovative glass manufacturers in the world. Founded in 1932 in Detroit, Michigan, the company operates on five continents, serving more than 160 countries.

guardianglass.com



WINKHAUS develops, manufactures and sells hardware for windows and doors, together with automatic closing, access and security systems. The german WINKHAUS group was founded in 1854, remaining a family business with over 2.000 partners worldwide.

winkhaus.com



SAINT-GOBAIN GLASS is the european leader in the production of construction glass. The factory in Călărași, Romania, has the most modern float glass production line in Europe. The thermal, acoustic and security performances of SAINT-GOBAIN glazings recommends them for the most creative and original architectural solutions.

saint-gobain-glass.com



MACO is an austrian windows & doors hardware manufacturer that ensured its success through the quality of its products, being the first company in its field to be certified according to ISO 9001 standards.

maco.at

OptiPro

VEKA 82

PRODUCT GEOMETRY

82 mm

3 sealing gaskets
7 frame insulation chambers
6 sash insulation chambers

MAXIMUM INSULATING GLASS UNIT THICKNESS

48 mm

THERMAL PERFORMANCE

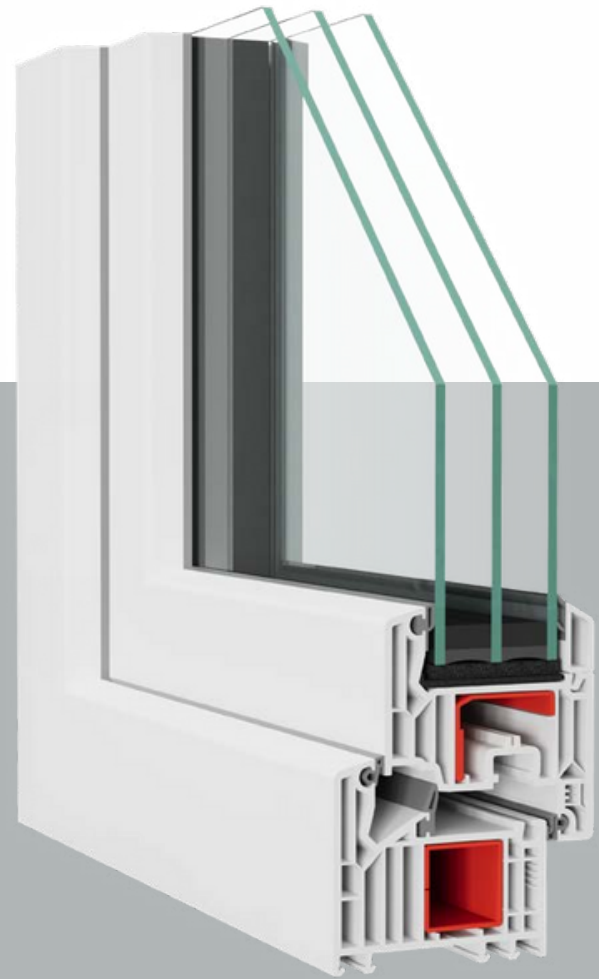
**$U_w \geq 0,77$
W/m²K**

ACOUSTIC INSULATION

47 dB

PROFILE CLASS

A



*THE PHOTOS ARE FOR INFORMATIONAL PURPOSES ONLY.



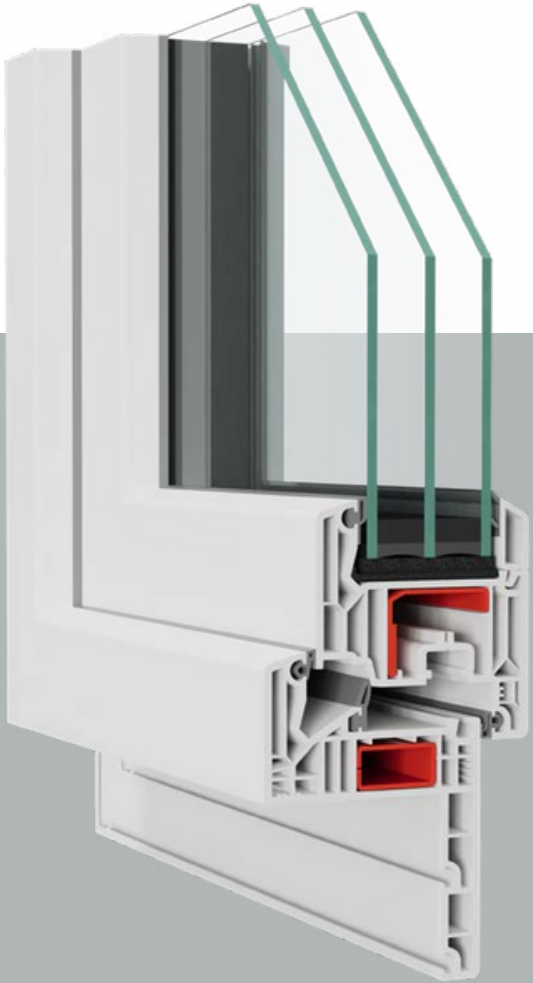
The VEKA 82MD system stands out with its exceptional performance thanks to the integration of a median gasket. With an innovative multi-chamber geometry, this system offers excellent thermal insulation. At the same time, its efficiency in the production and assembly processes recommends it as a wise choice for projects.



©RAVEN windows

OptiPro

VEKA 82 WITH
RENOVATION FRAME



PRODUCT GEOMETRY

82 mm

frame with a **35 mm/ 65 mm**
wing 3 sealing gaskets
7 frame insulation chambers
6 sash insulation chambers

MAXIMUM INSULATING GLASS
UNIT THICKNESS

48 mm

THERMAL PERFORMANCE

$U_w \geq 0,77 \text{ W/m}^2\text{K}$

ACOUSTIC INSULATION

47 dB

PROFILE CLASS

A



The VEKA 82MD system stands out with its exceptional performance thanks to the integration of a median gasket. With an innovative multi-chamber geometry, this system offers excellent thermal insulation. At the same time, its efficiency in the production and assembly processes recommends it as a wise choice for projects.

*THE PHOTOS ARE FOR INFORMATIONAL PURPOSES ONLY.



OptiPro

VEKA 82 NL

PRODUCT GEOMETRY

116 mm

2 sealing gaskets
7 frame insulation chambers
6 sash insulation chambers

MAXIMUM INSULATING GLASS UNIT THICKNESS

48 mm

THERMAL PERFORMANCE

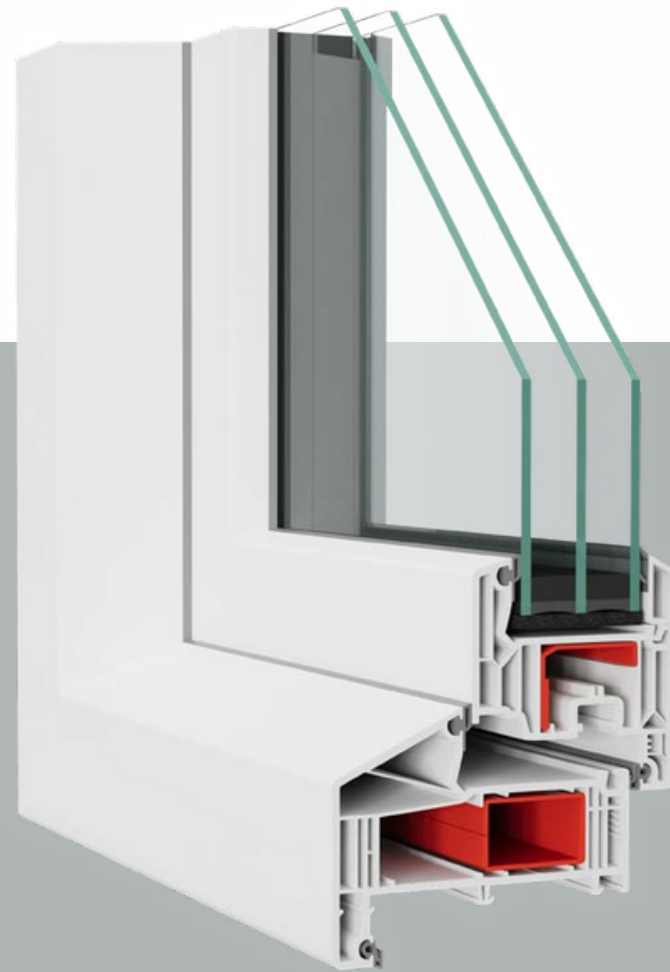
$U_w \geq 0,77 \text{ W/m}^2\text{K}$

ACOUSTIC INSULATION

47 dB

PROFILE CLASS

A



*THE PHOTOS ARE FOR INFORMATIONAL PURPOSES ONLY.



Originally intended for the Dutch market, VEKA 82NL is a special solution with oblique lines, integrating perfectly into the classical architecture of the 20th century. This new frame system is also very versatile and fits common window sizes. VEKA 82NL is suitable for houses requiring large amounts of natural light since it guarantees optimal energy efficiency even in the presence of larger glazed surfaces.



©RAVEN windows

OptiPro

82 ARTLINE

PRODUCT GEOMETRY

82 mm

3 sealing gaskets
5 insulation chambers

MAXIMUM INSULATING GLASS
UNIT THICKNESS

48 mm

THERMAL PERFORMANCE

$U_w \geq 0,73 \text{ W/m}^2\text{K}$

ACOUSTIC INSULATION

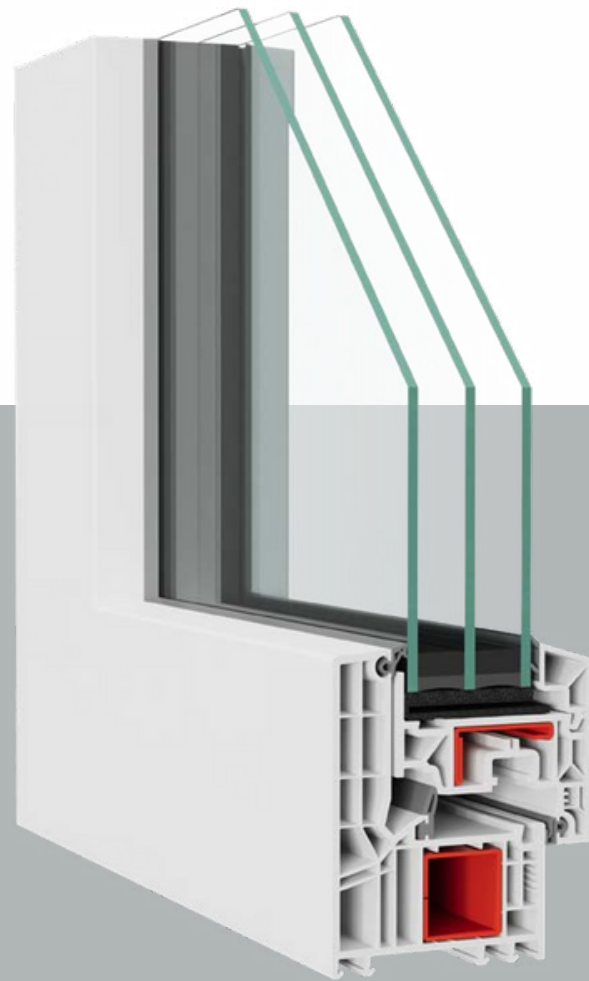
42 dB

PROFILE CLASS

A



When we talk about contemporary architecture with its emphasis on precise lines and high thermal requirements, ARTLINE 82 proves to be an ideal solution. This system brings forward remarkable insulation performances contained in a modern and distinctive design. With special attention being paid to details, ARTLINE 82 enables PVC windows showcasing large glazed surfaces which, together with a frame that integrates perfectly into the facade's insulation, gives the products an elegant appearance.



*THE PHOTOS ARE FOR INFORMATIONAL PURPOSES ONLY.



OptiPro

VEKA 82 DOOR

PRODUCT GEOMETRY

82 mm

1 sealing gasket
6 sash insulation chambers

MAXIMUM INSULATING GLASS
UNIT THICKNESS

48 mm

THERMAL PERFORMANCE

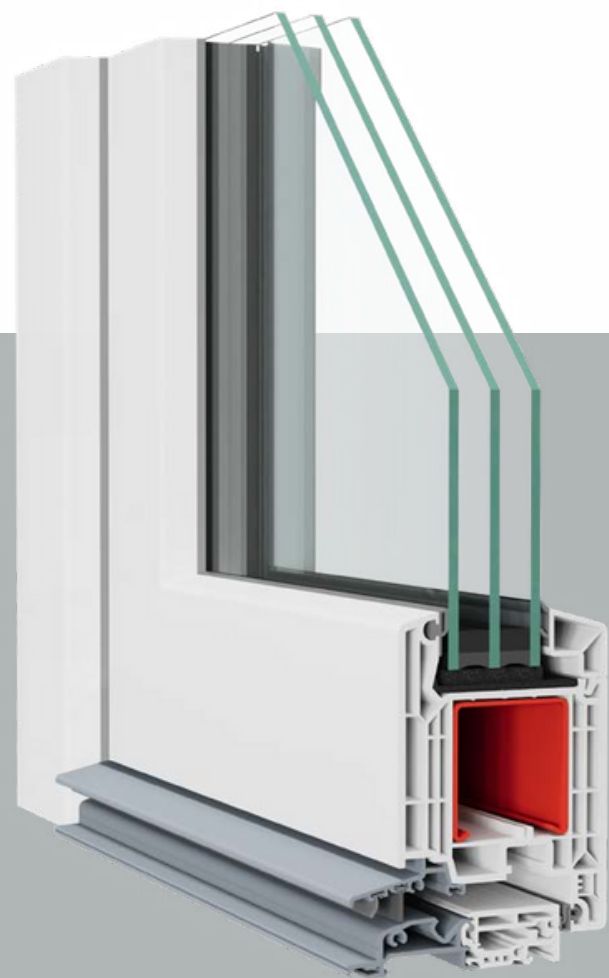
$U_w \geq 0,9 \text{ W/m}^2\text{K}$

ACOUSTIC INSULATION

47 dB

PROFILE CLASS

A



*THE PHOTOS ARE FOR INFORMATIONAL PURPOSES ONLY.



With an innovative geometry with multiple chambers, this system offers excellent thermal insulation. Its efficiency in the production and assembly process makes it the right choice for any project.



OptiPro

VEKAMOTION

PRODUCT GEOMETRY

194 mm

2 sealing gaskets
5 sash insulation chambers

MAXIMUM INSULATING GLASS
UNIT THICKNESS

48 mm

THERMAL PERFORMANCE

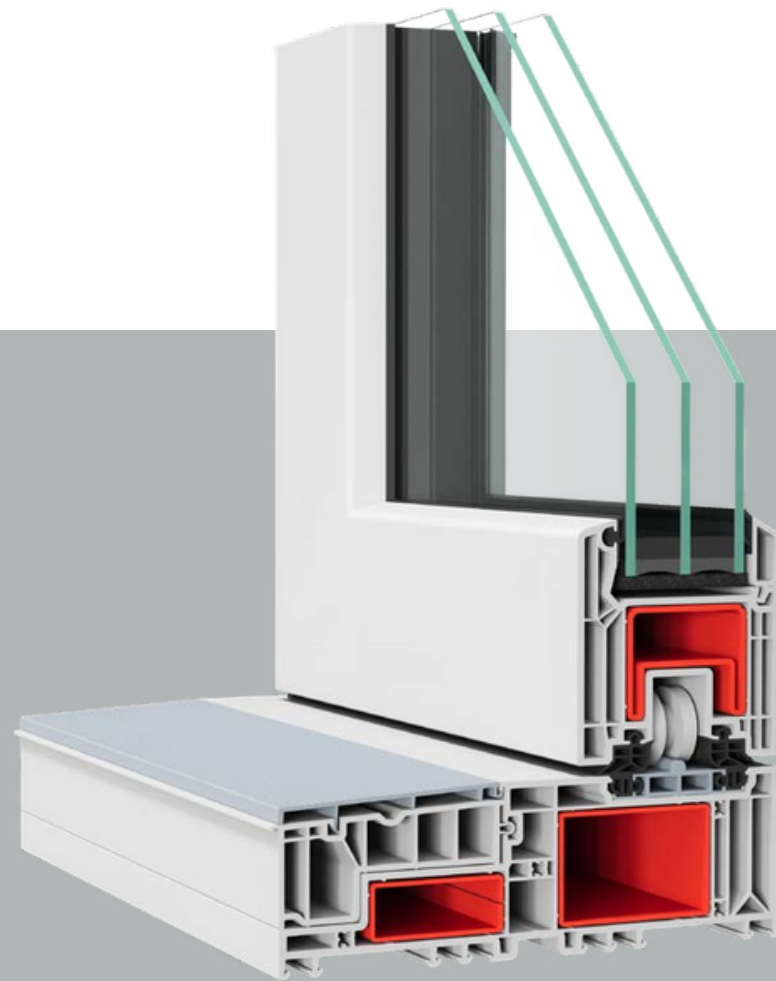
$U_w \geq 0,83 \text{ W/m}^2\text{K}$

ACOUSTIC INSULATION

42 dB

PROFILE CLASS

A



*THE PHOTOS ARE FOR INFORMATIONAL PURPOSES ONLY.



The VekaMotion 82 series brings an innovative perspective to the field of lift and slide doors. This system allows the creation of large elements with extensive glazed surfaces and thin profiles. This in turn allows a greater amount of light to enter the interior of the household. The new PVC threshold provides a barrier-free passage whilst maximizing energy efficiency.



©RAVEN window

OptiPro

VEKAMOTION MAX

PRODUCT GEOMETRY

194 mm

2 sealing gaskets
5 sash insulation chambers

MAXIMUM INSULATING GLASS UNIT THICKNESS

48 mm

THERMAL PERFORMANCE

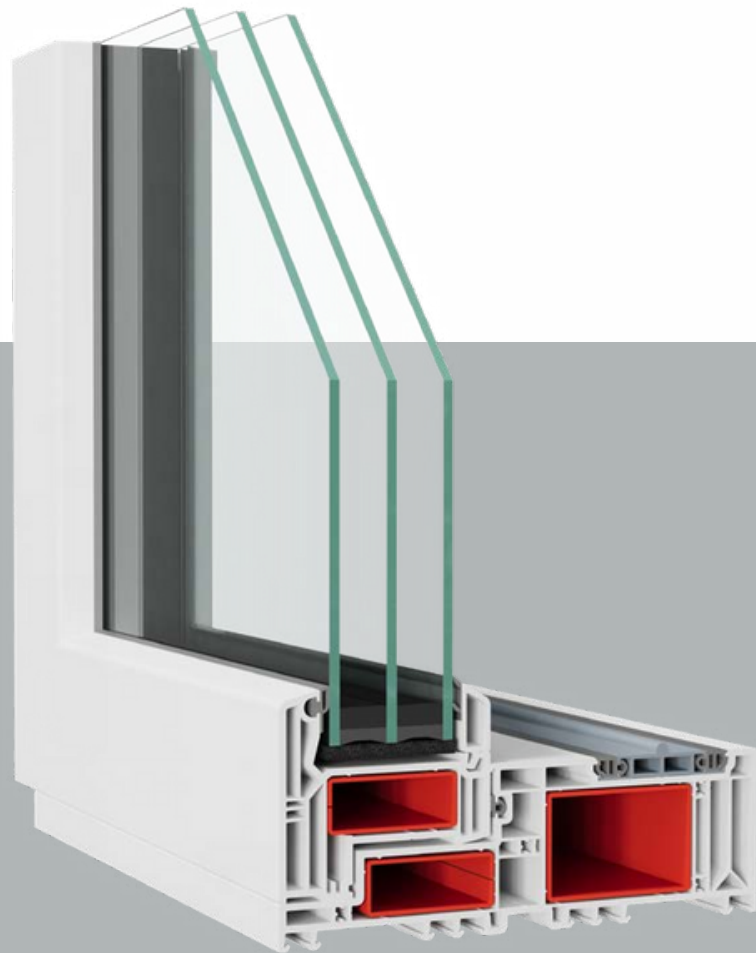
$U_w \geq 0,83 \text{ W/m}^2\text{K}$

ACOUSTIC INSULATION

42 dB

PROFILE CLASS

A



*THE PHOTOS ARE FOR INFORMATIONAL PURPOSES ONLY.



The VekaMotion 82 Max version comes with a much thinner frame to maximize the glazed surfaces, this allows more light to enter the interior. In addition, due to its unique construction, the frame can be almost entirely plastered, resulting in a significantly reduced visible profile height and, therefore, a pleasing visual appearance.



OptiPro

PREMIDOOR

PRODUCT GEOMETRY

179 mm

2 sealing gaskets
5 sash insulation chambers

MAXIMUM INSULATING GLASS UNIT THICKNESS

48 mm

THERMAL PERFORMANCE

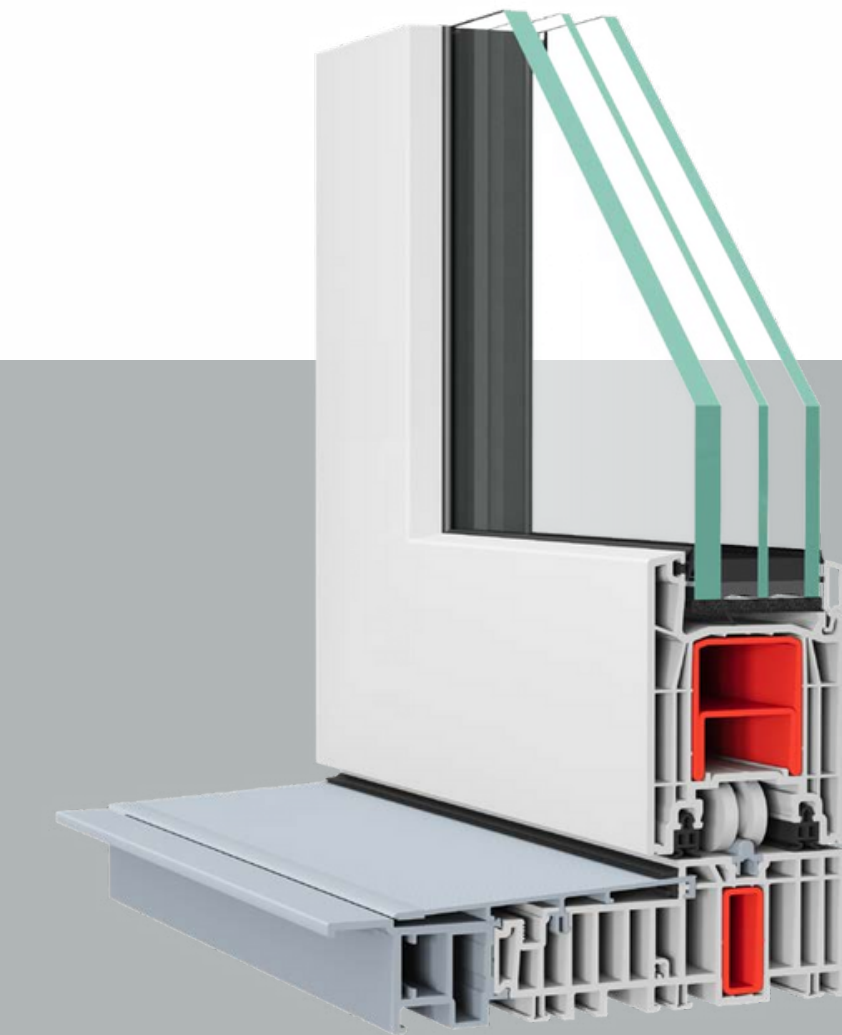
$U_w \geq 0,74 \text{ W/m}^2\text{K}$

ACOUSTIC INSULATION

45 dB

RESISTANCE AGAINST ENVIRONMENTAL CONDITIONS

Class S



*THE PHOTOS ARE FOR INFORMATIONAL PURPOSES ONLY.



PremiDoor 76 lift and slide doors bring light and nature indoors, offering generous glazed areas. This modern and environmentally friendly system is easy to use and provides thermal insulation, being suitable for both new constructions and renovations. With five integrated insulation chambers and a reduced frame, these doors allow the use of insulating glass units up to 48 mm thick.



©RAVEN windows

Aluminum cladding of PVC joinery

Aluminum cladding skilfully combines the best of both worlds. On the one hand, the reliability and resistance of Aluminum which also offers an elegant appearance to the entire system; on the other, the special thermal and acoustic insulation properties of PVC windows & doors.

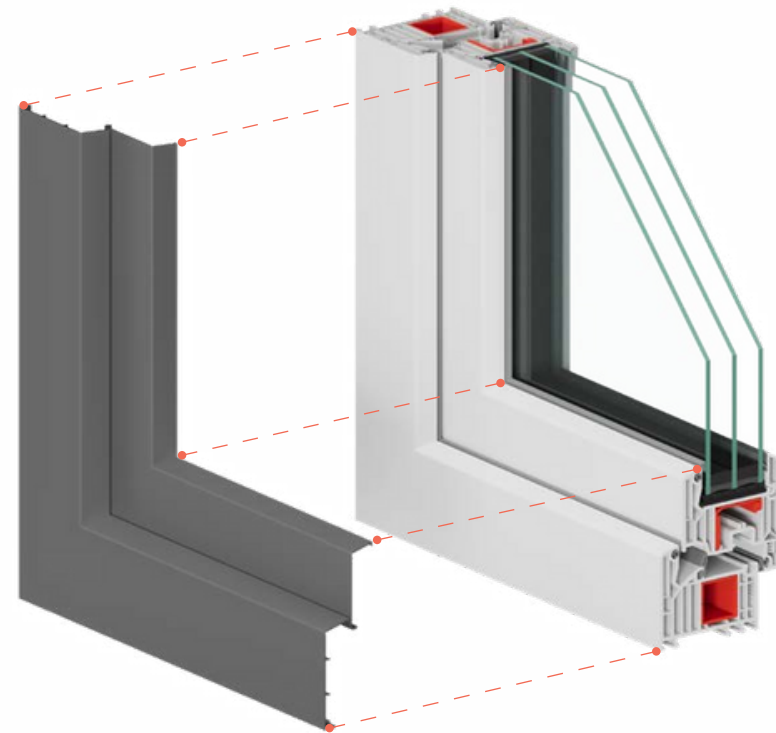
TECHNICAL SPECIFICATIONS

The profiles are cladded only on the outside using extruded aluminum profiles with a thickness of 1.5 mm.

Available in all RAL colors and wood imitations.

Easy to maintain, protects the joinery whilst improving its aesthetics.

High resistance to mechanical and climate factors.



V-Perfect Weld

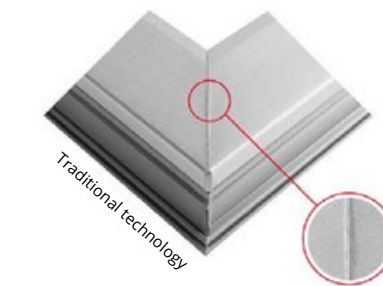
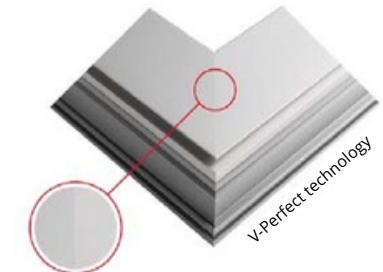
PERFECTION IS RIGHT AROUND THE CORNER



GOOD TO KNOW:

The standard is available for foiled profiles.
The delivery time is the same as for conventional welding.

Thanks to this patented technology, which allows the perfect alignment of the profile junctions and the removal of welding marks, the PVC window's corner finish can reach a quality level as high as in the case of wooden or aluminum windows. The appearance of the V-PERFECT weld answers the current architectural needs, thus addressing the complex and constantly evolving requirements imposed by the market.



Min / Max Size: 300 × 300 / 2800 × 3194

Available for the full range of PVC products

Conventional welding is still available



A quality hardware guarantees the optimal usage and safety of the joinery, OPTIMEDIA offering you both WINKHAUS and MACO solutions. In any variant, the reliability guaranteed at over 15,000 closing-opening cycles, water tightness, multi-point locking and anti-burglary systems are just some of the advantages of the hardware we use. Joineries equipped with our hardware provide protection against incorrect handling and discreet ventilation positions which are secured against burglary attempts.

OPTIMEDIA offers you window handles with a patented security mechanism, Secustik, which prevents the window from being operated from the outside. As standard, the handles and hinge covers can be white or brown, with silver, bronze, gold, black, dark brown or cremeweiss being available on demand. The door handles we offer also cover a wide range of shapes and colors (white, brown, silver or gold).

WE OFFER TWO TYPES OF SYSTEMS FOR ENTRANCE DOORS:

- Two lever handles inside/outside
- A lever handle on the inside and a pull handle on the outside

HARDWARE AND HANDLES



PVC Handles



Option 1

Option 2



Door Handles

schüring®

greenteQ



White



Cream



Silver



Brown



Silver



White



Silver



Gold



Bronze



Brown



Black

Option 1

Option 1



White



Silver



Brown

Option 2



White

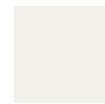


Silver



Brown

Option 3



White



Silver



Gold



Bronze



Brown



Black

Option 2



White



Silver



Gold



Bronze



Brown



Black

Option 3



Option 4

Glass

Glass represents approximately 80% of a joinery's surface. OPTIMEDIA equips its products with SAINT GOBAIN GLASS or GUARDIAN glazings that meet the thermal, acoustic and security requirements, whilst ensuring the desired indoor ambiance. Their winter-summer comfort function maintains a pleasant interior atmosphere throughout the year, with the sheen of its coating giving the space a touch of elegance.

TECHNICAL SPECIFICATIONS

ESG tempered glass is, on average, 4 times more resistant than a standard glass to changes in temperature, strong winds and impacts. When cracked, it breaks down into small pieces without any sharp edges.

Laminated glass is composed of two or more simple glass sheets glued together with a PVB film which, in case of breakage acts as a medium to which the shards remain glued, therefore preventing possible accidents.

Tempered glass aims to protect both users against accidents and buildings against break-ins.

For design purposes or to protect you from prying eyes, OPTIMEDIA offers you a wide range of decorative glass with a large number of models, textures and colors.

Also, for added style and elegance, you can choose between georgian and astragal bars. These can be of different sizes, colors and shapes, made of PVC or Aluminum.



Tempered glass: Optimedia ESG

ESG is a type of glass that, following the tempering process, shows a considerably higher resistance to mechanical and thermal stresses compared to ordinary glass (including laminated glass). In case of breakage, ESG glass fragments into small pieces with blunt edges. Its superior mechanical properties recommend it for large glazed elements.

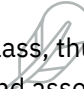
USES:


Architectural: all types of interior or exterior windows, doors and glass assemblies, consisting of independent or linked elements, facades, glazed roofs, stairs and even glass floors;


Urban furniture: telephone booths, public transport stations, parapets;

Interior furniture: table tops, shower cabins, shelves, furniture.

WHY ESG (TEMPERED) GLASS?

 ESG glass is 50% lighter than laminated glass, thus facilitating its transport and assembly whilst at the same time extending the joinery's life by reducing the load on the hardware.

 It is 5 times more resistant to tension, shocks and bending stresses compared to an ordinary or laminated glass of the same thickness.

 It reduces the risk of injury in case of breakage, by fragmenting into small, blunt pieces and limits the risk of break-ins.

Color palettes

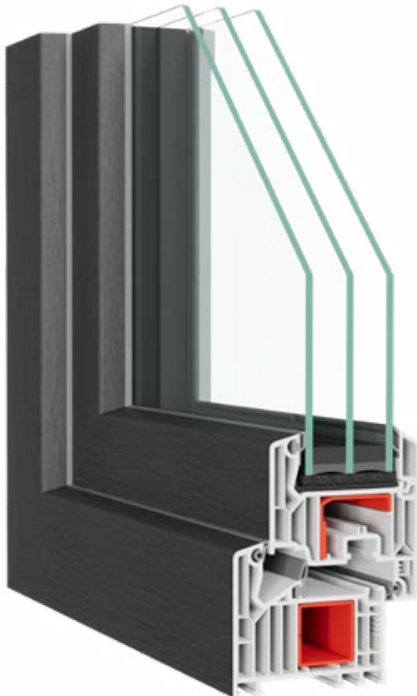
With a palette of over 100 colors and effects (different wood imitations as well as solid matte or metallic colors) we offer a customized solution for everyone's taste, ensuring diversity, durability and color resistance over time.

You can opt for white on two sides, white on the inside/color on the outside or color on both sides.

The three options for gaskets perfectly complement the profile offer. Depending on OPTIMEDIA's standard regarding gasket to PVC body color combinations, the available options are: gray gaskets on white and cream profile bodies, black gaskets on gray and brown bodies and caramel gaskets on caramel bodies.

GROUP 1

ANTHRAZITGRAU



ANTHRAZITGRAU
GLATT



JET BLACK SFTN



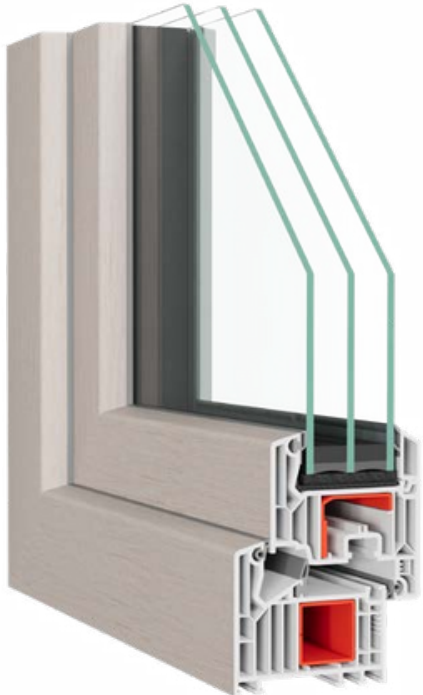
CREMEWEISS



MOOREICHE ST-F



SHEFFIELD OAK
LIGHT



GOLDEN OAK



NUSSBAUM



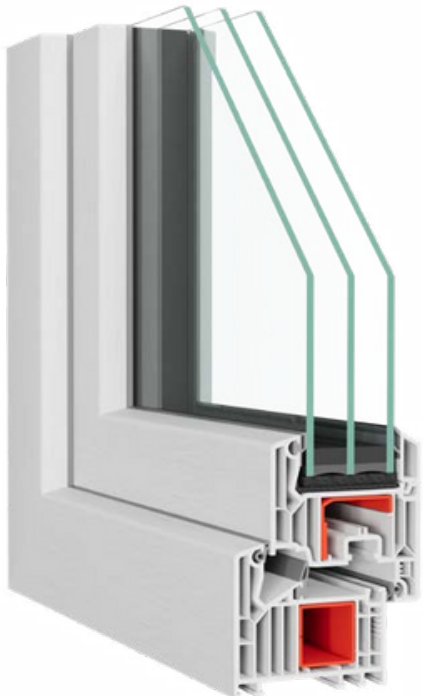
GRAU



QUARZGRAU



WEISS



GROUP 2

Color reproductions are only partial and approximate. For the complete and accurate color range, please **consult the official OPTIMEDIA color palettes.**

AVAILABLE BODY COLOR OPTIONS:

OptiPro 82 - white, cream, brown, caramel, gray

OptiPro Motion/Motion Max - white

OptiPro Premidoor - white

COLORS OF THE GASKETS IN THE CASE OF LAMINATED PROFILES

Gray gasket - White profile, Ivory profile

Black gasket - Gray profile, Brown profile

Caramel gasket - Caramel profile



Achatgrau



Aluminium Geburstet



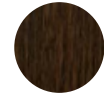
Alux DB 703



Basaltgrau



BrillantWeiss



Eiche Dunkel FL-F1



Grau Glatt



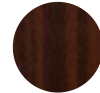
Hellelfenbein



Lichtgrau



Metbrush Messing



Sapeli



Schiefergrau



Schokobraun



Schwarzbraun



Schiefergrau Glatt



Basaltgrau Glatt



Streifen Douglasie



Winchester XA



Douglasie



Siena Noce



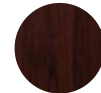
Siena Rosso



Alux Graualuminium



Bergkiefer



Black Cherry



Brillantblau



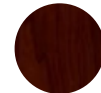
Betongrau



BraunMaron



Kobaltblau



Rosewood



Schwarzgrau Glatt



Zinkgelb



Crown Platin



Dunkelgrun



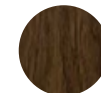
Dunkelrot



Earl Platin



Eiche Hell



Eiche Rustical



Irish Oak



Jet Black Stylo



Macore



Metbrush Anthrazitgrau



Metbrush Platin



Metbrush Quarzgrau



Metbrush Silver



Moosgrun



Mountain Oak



Anthrazitgrau Ultimatt



Black Ultimatt



Oregon



Papyrusweiss



Pastelgrun



Quarz Platin



Quarzgrau Glatt



Rustic Cherry



Schwarzgrau



Sheffield Oak Grey



Shogun AC



Shogun AD



Shogun AF



Signalgrau



Stahlblau



Weinrot



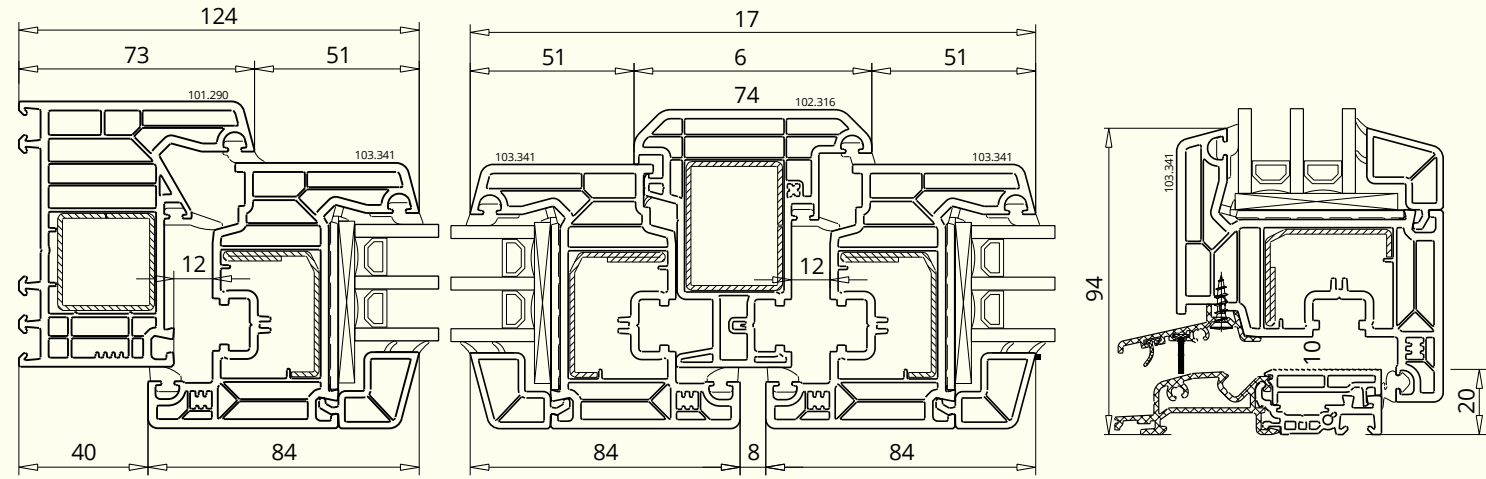
Achatgrau Glatt



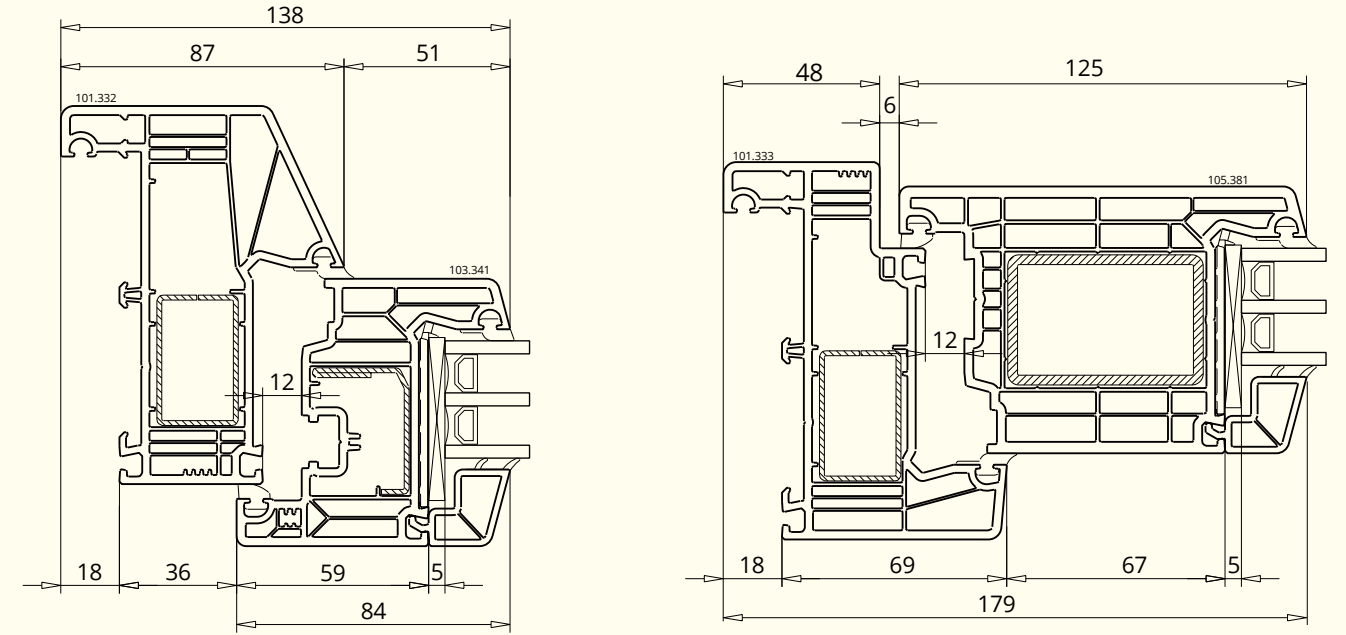
Black Smooth 2

GROUP 3

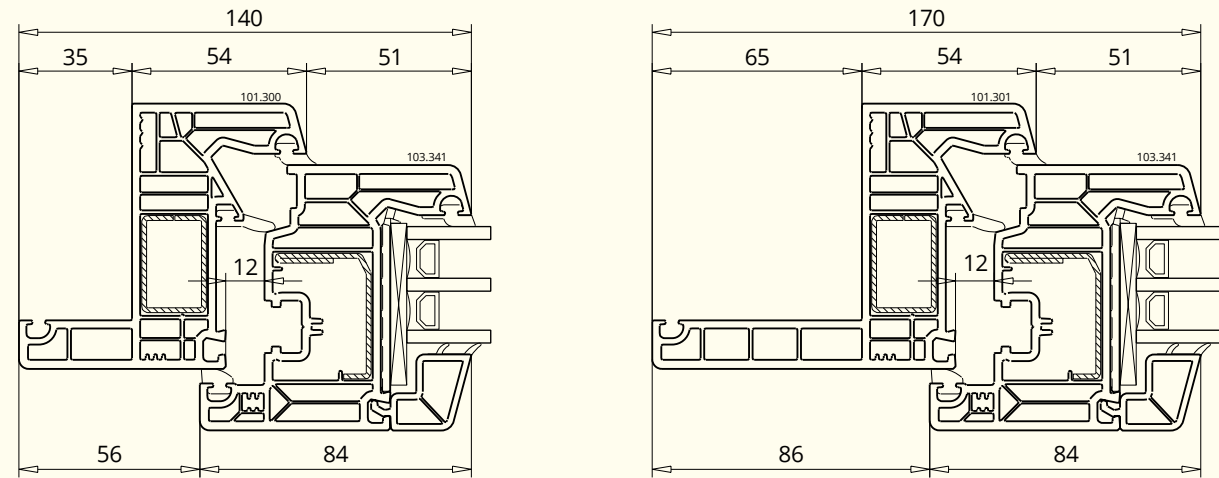
Optipro VEKA 82



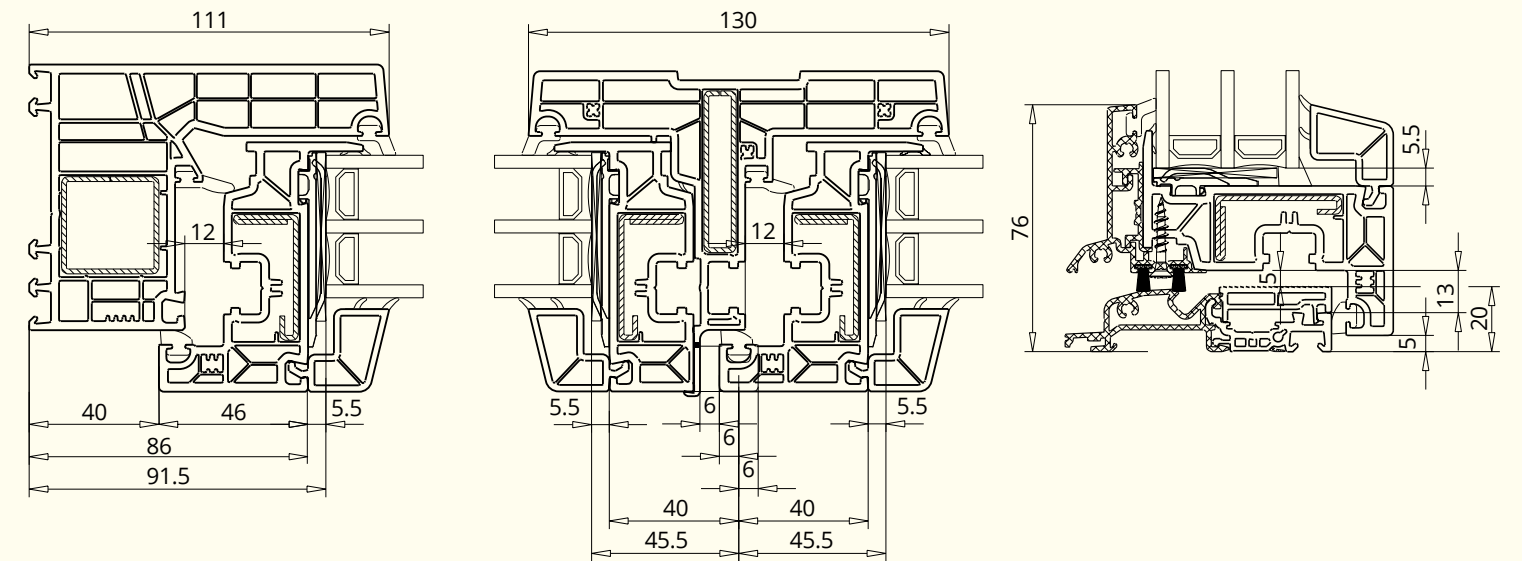
Optipro VEKA 82 NL



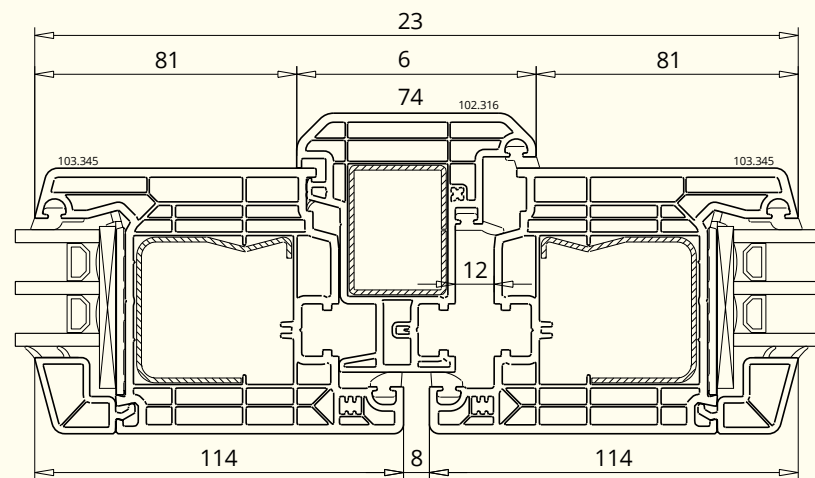
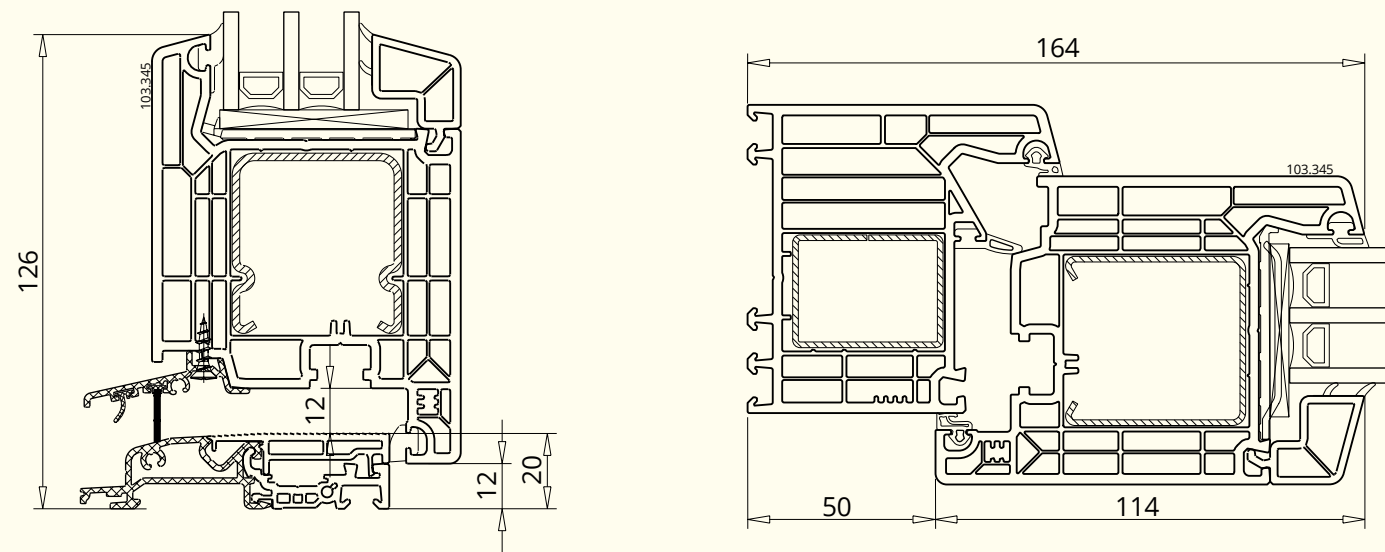
Optipro VEKA 82 WITH RENOVATION FRAME



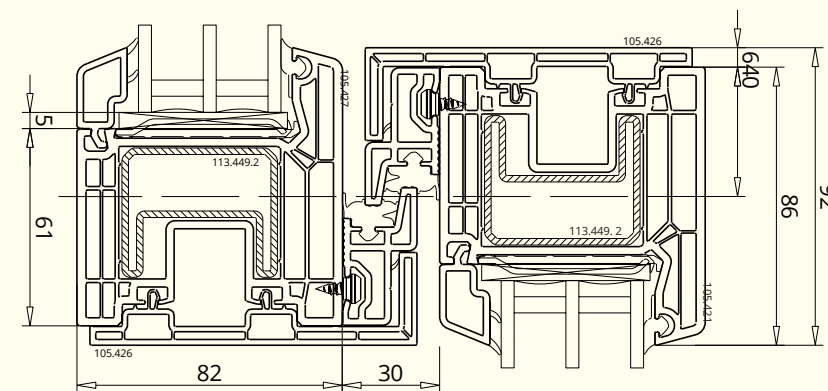
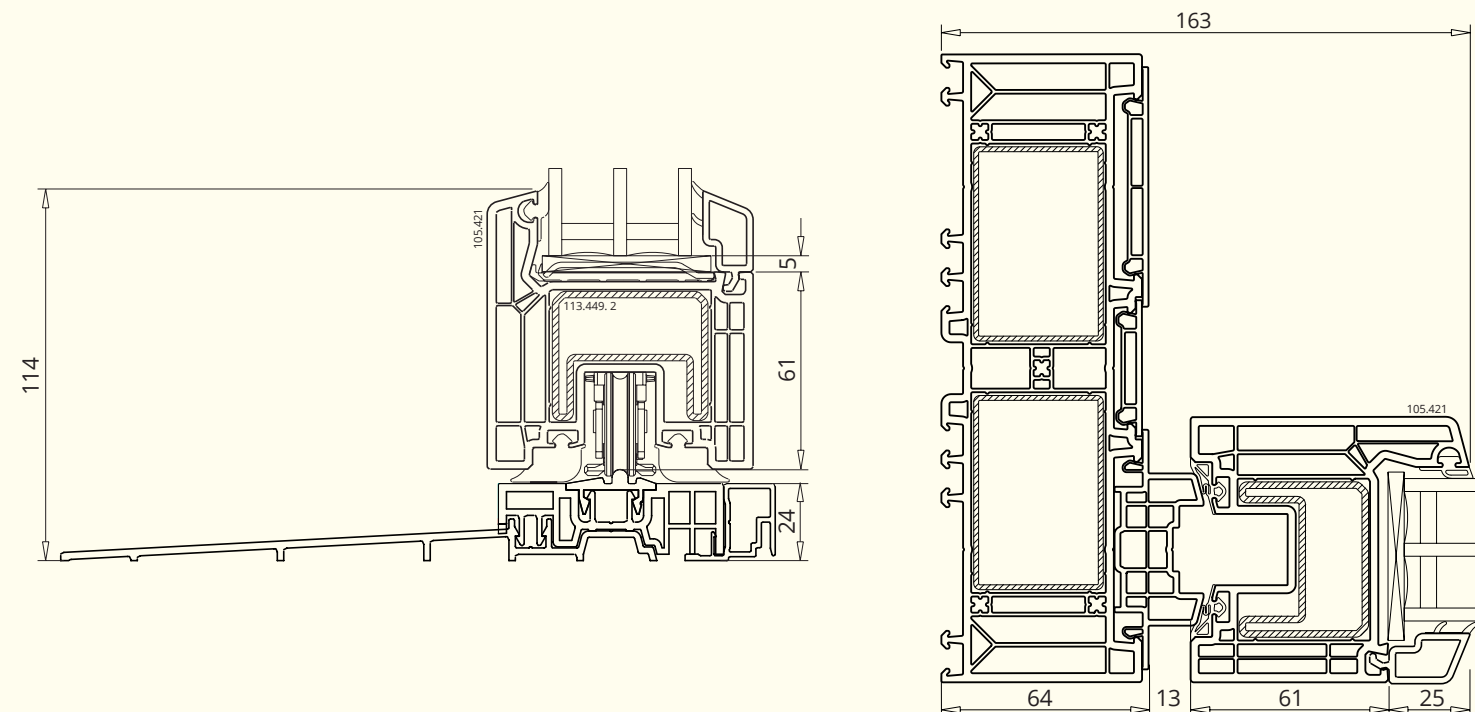
Optipro 82 ARTLINE



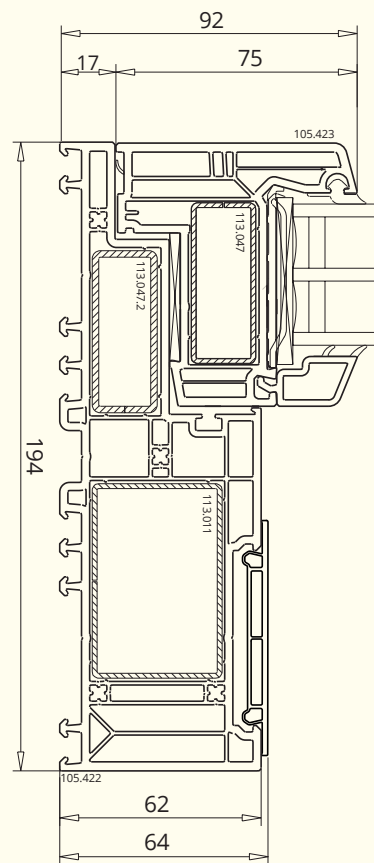
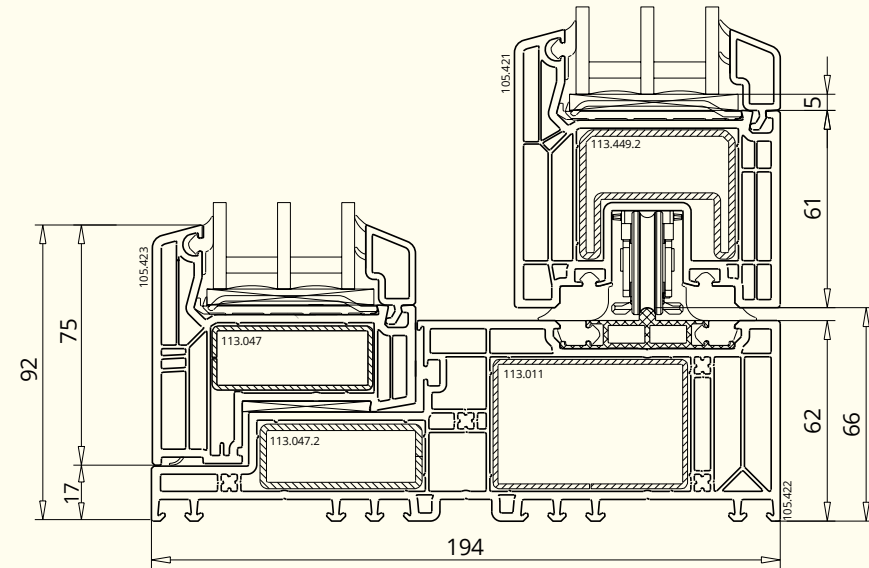
Optipro VEKA 82 DOOR



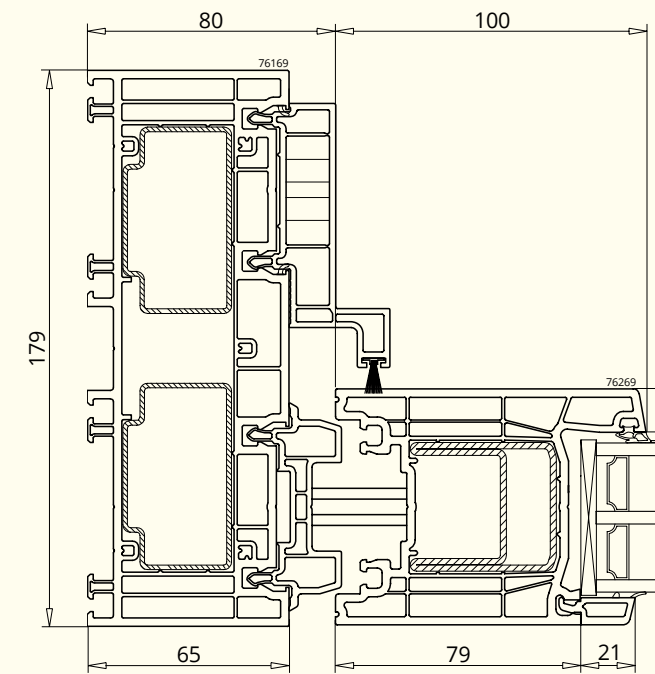
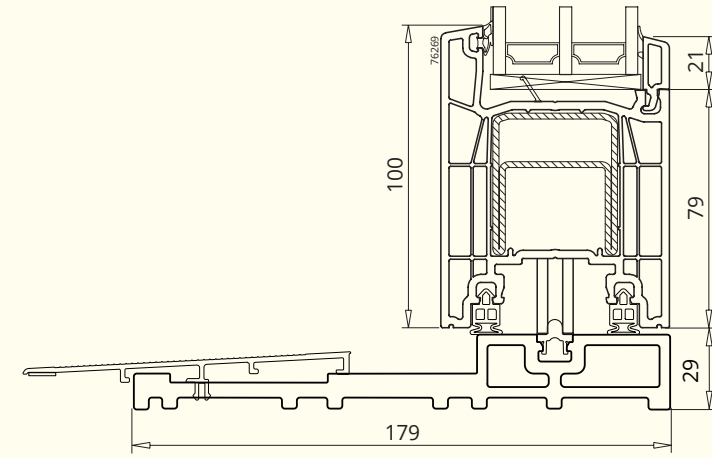
Optipro VEKAMOTION



Optipro VEKAMOTION MAX



Optipro PREMIDOOR




Join the Optimedia team

We are constantly recruiting agents to represent Optimedia. We export to all continents and offer extensive sales support and packages so you can be an exceptional dealer in your area.



Contact

 [optimedia](#)

 [Optimedia SRL](#)

 [optimedia.eu](#)

 [optimedia.eu](#)





S.C. OPTIMEDIA S.R.L.
Calea Sântandrei, nr. 38
410238, Oradea, România
+40 259 442 821
worldwide@optimedia.eu

optimedia.eu