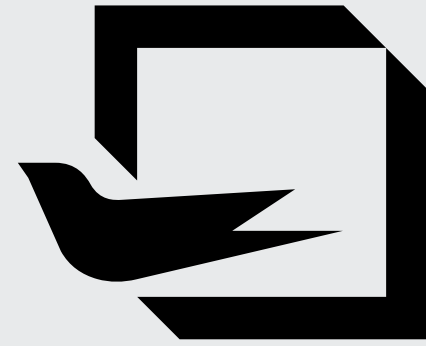


OptiFusion

02



OPENING
NEW
HORIZONS

+29
years of experience

+55.000

square meters

+2.500

partners



Optimedia has been producing PVC and Aluminum joineries since 1994, amassing an impressive and modern production system. Since 2006, we have started exporting our products currently having more than 2.500 B2B partners worldwide.

OUR VISION:

To be a leader in the production of PVC and Aluminum joineries, offering support to all our partners. To achieve this, we have kept to our core principles, maintaining the quality of our products and the relationships with our partners as top priorities.

OUR MISSION:

To produce windows and doors that have certified and proven characteristics, manufactured and delivered to the highest market standards.



VEKA is a german manufacturer of high quality PVC profiles, present in the european, north-american and asian markets. Their recipe for success lies in the fact that VEKA is always close to their end customers, ensuring optimal adaptation to demand and local culture.

veka.com



PROFINE produces PVC profiles marketed under the KÖMMERLING brand. In 1954, the german company produced the very first PVC systems aimed at series production, patenting their coloured-profile extrusion technology in 1967 and the five-chambered profiles' one in 2000.

profine-group.com

deceuninck

Founded in 1937 in Belgium, DECEUNINCK is among the top 3 companies in the world when it comes to the production of windows & doors PVC profiles. Having 22 warehouses and distribution centers and 14 different extrusion plants, DECEUNINCK provides all its customers with great quality and varied products.

deceuninck.com



Although CORTIZO has established itself as a leader in the aluminum profile market, the spanish company also stands out as a producer of high-quality PVC profiles. Due to their exceptional chemical composition, CORTIZO PVC profiles meet the most demanding standards in terms of quality and performance.

cortizo.com



GUARDIAN GLASS is one of the largest and most innovative glass manufacturers in the world. Founded in 1932 in Detroit, Michigan, the company operates on five continents, serving more than 160 countries.

guardianglass.com



WINKHAUS develops, manufactures and sells hardware for windows and doors, together with automatic closing, access and security systems. The german WINKHAUS group was founded in 1854, remaining a family business with over 2.000 partners worldwide.

winkhaus.com



SAINT-GOBAIN GLASS is the european leader in the production of construction glass. The factory in Călărași, Romania, has the most modern float glass production line in Europe. The thermal, acoustic and security performances of SAINT-GOBAIN glazings recommends them for the most creative and original architectural solutions.

saint-gobain-glass.com



MACO is an austrian windows & doors hardware manufacturer that ensured its success through the quality of its products, being the first company in its field to be certified according to ISO 9001 standards.

maco.at

OptiFusion

VEKA 76 AD

PRODUCT GEOMETRY

76 mm

2 sealing gaskets
6 frame insulation chambers
5 sash insulation chambers

MAXIMUM INSULATING GLASS UNIT THICKNESS

48 mm

THERMAL PERFORMANCE

$U_w \geq 0,81 \text{ W/m}^2\text{K}$

ACOUSTIC INSULATION

47 dB

PROFILE CLASS

A



*THE PHOTOS ARE FOR INFORMATIONAL PURPOSES ONLY.

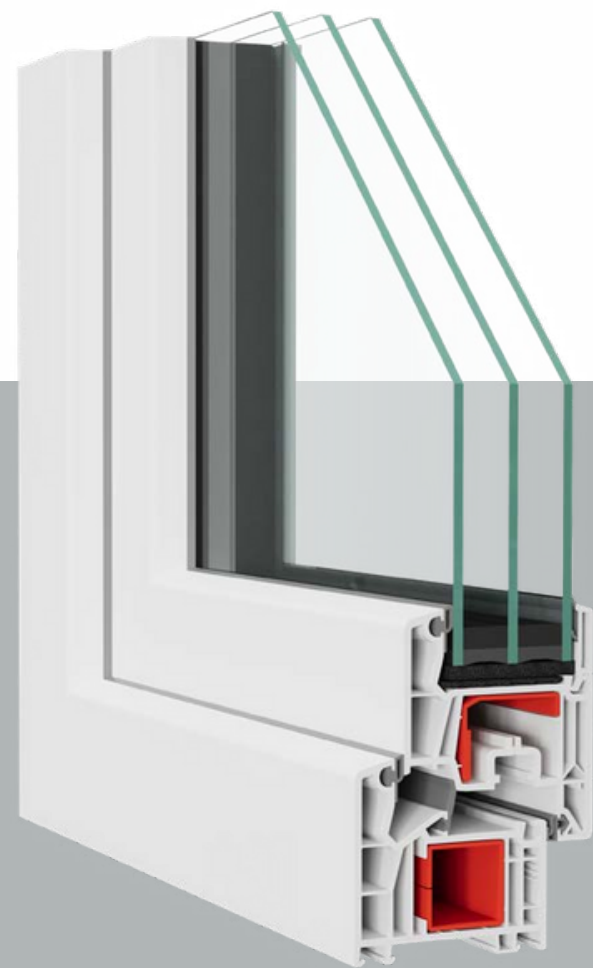


With a base thickness of 76 mm, the Veka 76 system offers the perfect balance between energy saving and cost optimization. The solid Class A profiles allow the use of triple-glazed insulating glass units for superior insulation as well as protection against noise and intrusions. The slim and efficient design of Veka 76 makes it an appropriate choice even for projects requiring large joineries and openings.



OptiFusion

VEKA 76 MD



PRODUCT GEOMETRY

76 mm

3 sealing gaskets
6 frame insulation chambers
5 sash insulation chambers

MAXIMUM INSULATING GLASS UNIT THICKNESS

48 mm

THERMAL PERFORMANCE

$U_w \geq 0,74 \text{ W/m}^2\text{K}$

ACOUSTIC INSULATION

47 dB

PROFILE CLASS

A



With a base thickness of 76 mm, the Veka 76 system offers the perfect balance between energy saving and cost optimization. The solid Class A profiles allow the use of triple-glazed insulating glass units for superior insulation as well as protection against noise and intrusions. The slim and efficient design of Veka 76 makes it an appropriate choice even for projects requiring large joineries and openings.

*THE PHOTOS ARE FOR INFORMATIONAL PURPOSES ONLY.



OptiFusion

VEKA 76 MD WITH
RENOVATION FRAME

PRODUCT GEOMETRY

76 mm

frame with a 35 / 48 / 65 mm
wing 3 sealing gaskets
6 frame insulation chambers
5 sash insulation chambers

MAXIMUM INSULATING GLASS UNIT THICKNESS

48 mm

THERMAL PERFORMANCE

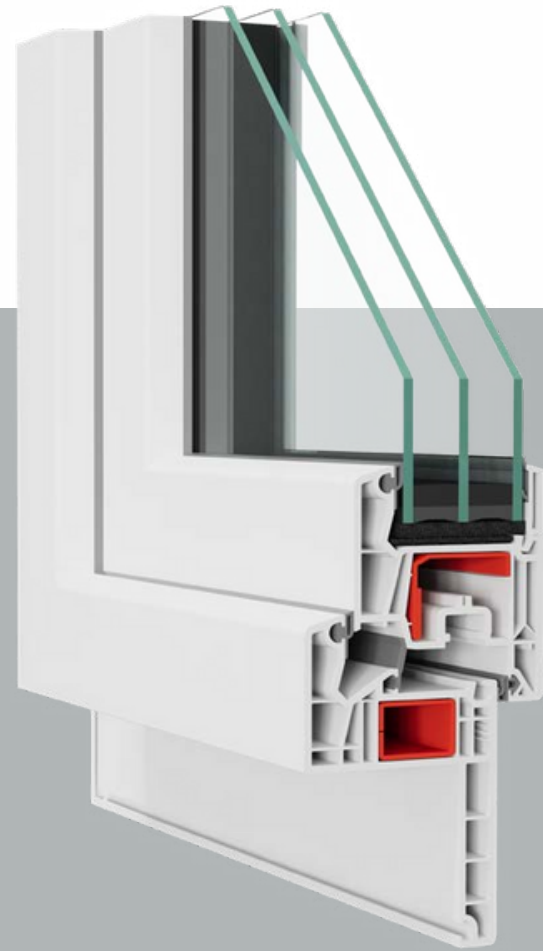
$U_w \geq 0,74 \text{ W/m}^2\text{K}$

ACOUSTIC INSULATION

47 dB

PROFILE CLASS

A



*THE PHOTOS ARE FOR INFORMATIONAL PURPOSES ONLY.

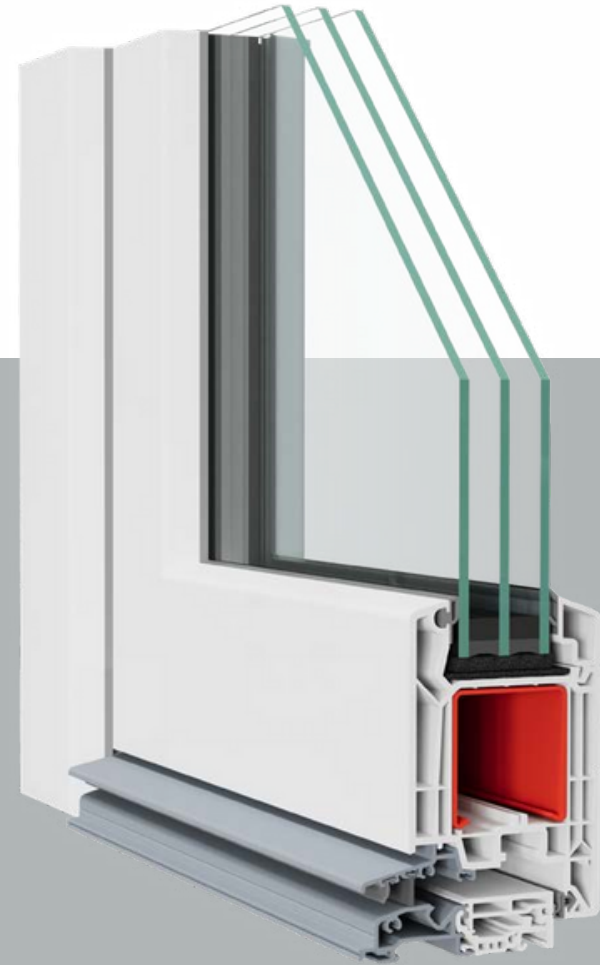


With a base thickness of 76 mm, the Veka 76 system offers the perfect balance between energy saving and cost optimization. The solid Class A profiles allow the use of triple-glazed insulating glass units for superior insulation as well as protection against noise and intrusions. The slim and efficient design of Veka 76 makes it an appropriate choice even for projects requiring large joineries and openings.



OptiFusion

VEKA 76 DOOR



PRODUCT GEOMETRY

76 mm

1 sealing gasket
5 insulation chambers

MAXIMUM INSULATING GLASS
UNIT THICKNESS

48 mm

THERMAL PERFORMANCE

$U_w \geq 0,82 \text{ W/m}^2\text{K}$

ACOUSTIC INSULATION

47 dB

PROFILE CLASS

A



With a base thickness of 76 mm, the Veka 76 system offers the perfect balance between energy saving and cost optimization. The solid Class A profiles allow the use of triple-glazed insulating glass units for superior insulation as well as protection against noise and intrusions. The slim and efficient design of Veka 76 makes it an appropriate choice even for projects requiring large joineries and openings.

*THE PHOTOS ARE FOR INFORMATIONAL PURPOSES ONLY.



©RAVEN windows

OptiFusion

DECEUNINCK 76 AD

PRODUCT GEOMETRY

76 mm

Sash depth: **80 mm**
2 sealing gaskets
5 insulation chambers

MAXIMUM INSULATING GLASS
UNIT THICKNESS

48 mm

THERMAL PERFORMANCE

$U_w \geq 0,75 \text{ W/m}^2\text{K}$

ACOUSTIC INSULATION

45 dB

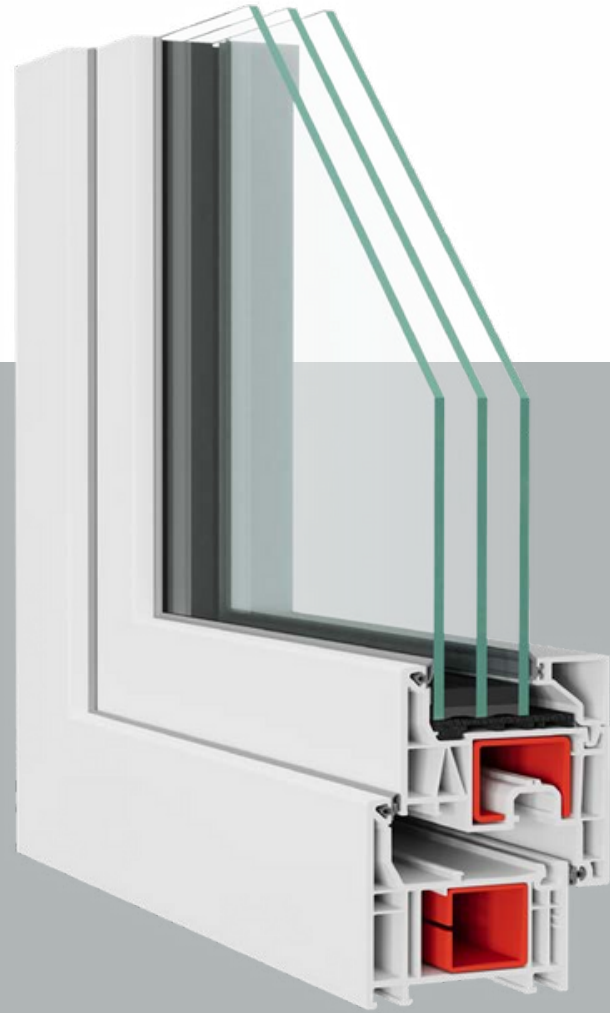
RESISTANCE AGAINST
ENVIRONMENTAL CONDITIONS

Class S



deceuninck

Deceuninck windows provide a modern and elegant aesthetic to your home. They stand out with their thermal insulation performance, tested to passive house standards, as well as through their resistance to severe weather conditions. The Deceuninck 76AD variant has a frame depth of 76 mm and a sash measuring 80 mm, which, together with the system's minimalist design makes it suitable for any type of home. The median gasket variant adds another insulation chamber to the same construction dimensions.



*THE PHOTOS ARE FOR INFORMATIONAL PURPOSES ONLY.



OptiFusion

DECEUNICK 76 MD

PRODUCT GEOMETRY

76 mm

Sash depth: **80 mm**
3 sealing gaskets
6 insulation chambers

MAXIMUM INSULATING GLASS
UNIT THICKNESS

48 mm

THERMAL PERFORMANCE

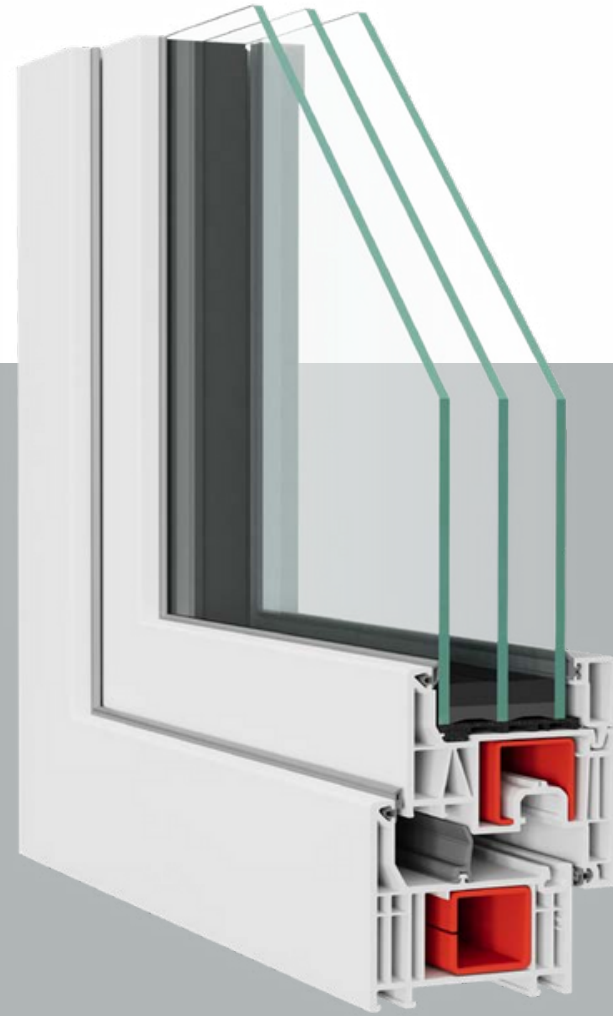
$U_w \geq 0,72 \text{ W/m}^2\text{K}$

ACOUSTIC INSULATION

45 dB

RESISTANCE AGAINST
ENVIRONMENTAL CONDITIONS

Class S



*THE PHOTOS ARE FOR INFORMATIONAL PURPOSES ONLY.



deceuninck

Deceuninck windows provide a modern and elegant aesthetic to your home. They stand out with their thermal insulation performance, tested to passive house standards, as well as through their resistance to severe weather conditions. The Deceuninck 76AD variant has a frame depth of 76 mm and a sash measuring 80 mm, which, together with the system's minimalist design makes it suitable for any type of home. The median gasket variant adds another insulation chamber to the same construction dimensions.



OptiFusion

DECEUNINCK 76 MD WITH
RENOVATION FRAME

PRODUCT GEOMETRY

76 mm

Sash depth: **80 mm**
frame with a **35 / 65 mm**
wing 3 sealing gaskets
5 frame insulation chambers
6 sash insulation chambers

MAXIMUM INSULATING GLASS UNIT THICKNESS

48 mm

THERMAL PERFORMANCE

$U_w \geq 0,75 \text{ W/m}^2\text{K}$

ACOUSTIC INSULATION

45 dB

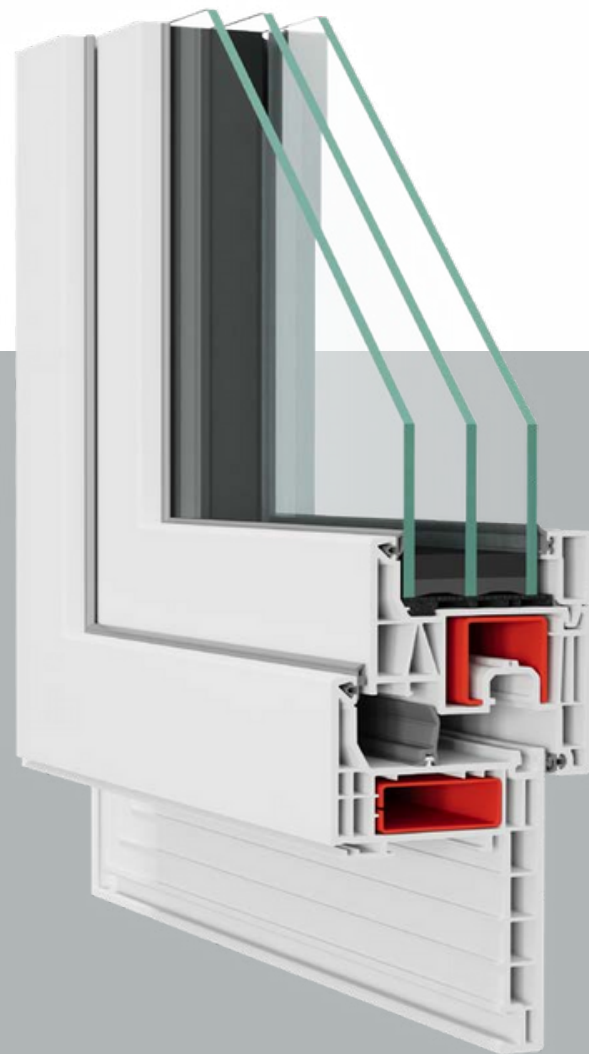
RESISTANCE AGAINST ENVIRONMENTAL CONDITIONS

Class S

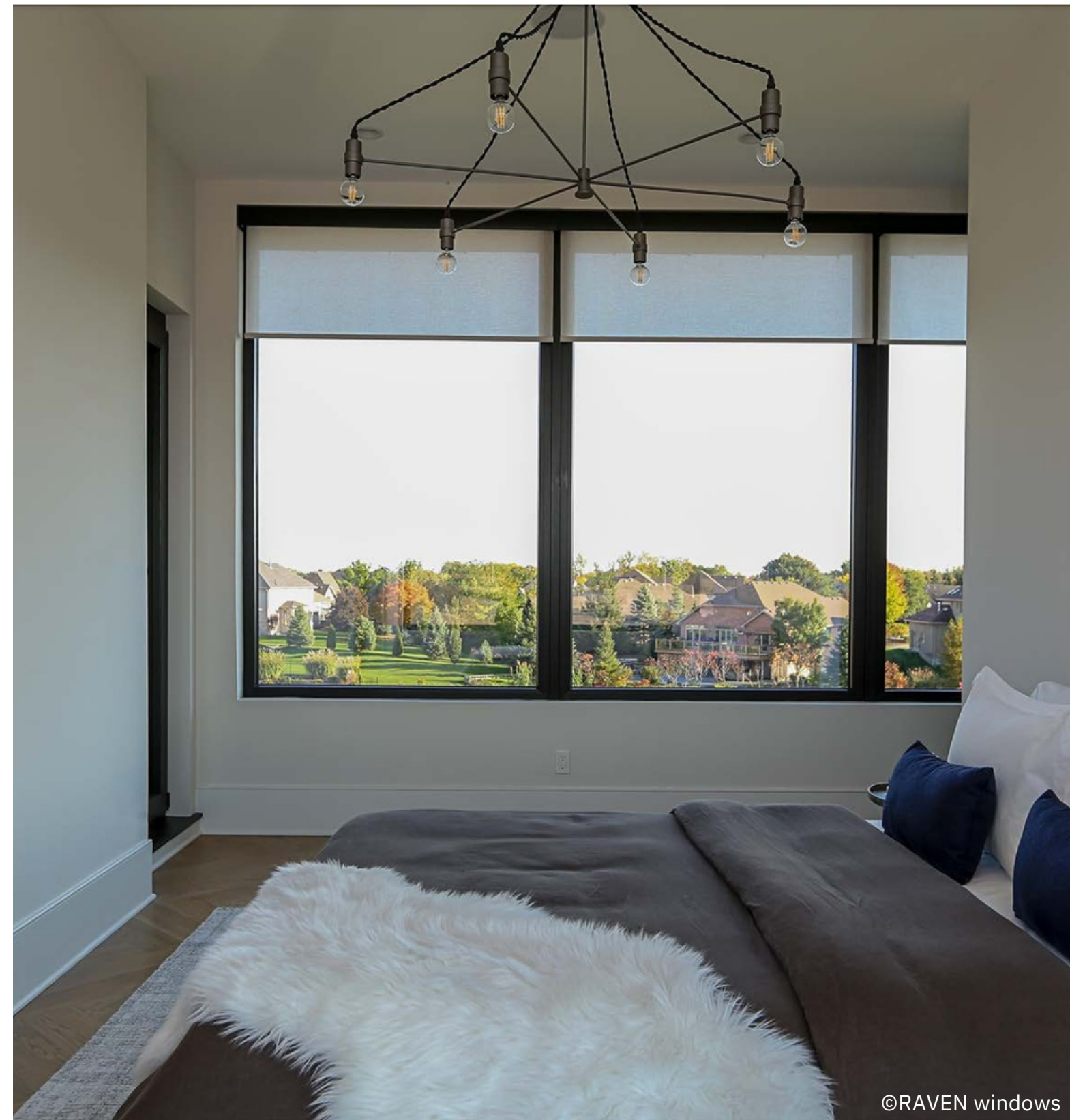


deceuninck

Deceuninck windows provide a modern and elegant aesthetic to your home. They stand out with their thermal insulation performance, tested to passive house standards, as well as through their resistance to severe weather conditions. The Deceuninck 76AD variant has a frame depth of 76 mm and a sash measuring 80 mm, which, together with the system's minimalist design makes it suitable for any type of home. The median gasket variant adds another insulation chamber to the same construction dimensions.



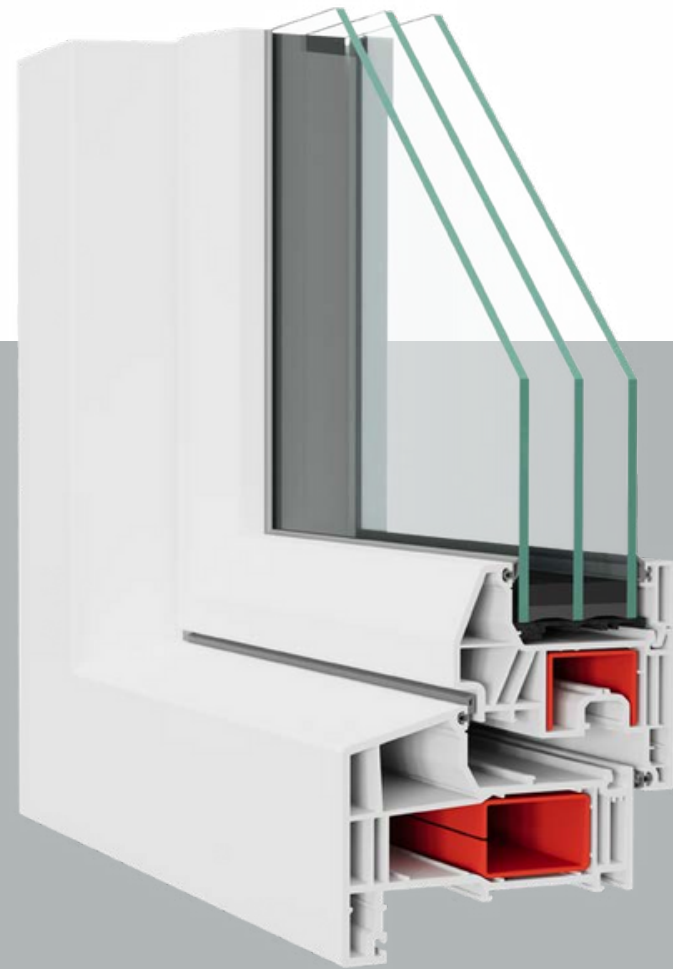
*THE PHOTOS ARE FOR INFORMATIONAL PURPOSES ONLY.



©RAVEN windows

OptiFusion

DECEUNINCK 115 NL



PRODUCT GEOMETRY

76 mm

2 sealing gaskets
5 frame insulation chambers
6 sash insulation chambers

MAXIMUM INSULATING GLASS UNIT THICKNESS

48 mm

THERMAL PERFORMANCE

$U_w \geq 0,75 \text{ W/m}^2\text{K}$

ACOUSTIC INSULATION

45 dB

RESISTANCE AGAINST ENVIRONMENTAL CONDITIONS

Class S



deceuninck

Deceuninck 115NL is the version specific to the construction requirements present in the Dutch market. Features include an installation depth of 115mm as well as a profile face beveled to an angle of 15°. Similar to the system's other variants, there is the possibility of inserting a median gasket into its 115 mm frame.

*THE PHOTOS ARE FOR INFORMATIONAL PURPOSES ONLY.



OptiFusion

DECEUNINCK 76 DOOR

PRODUCT GEOMETRY

76 mm

Sash depth: **80 mm**
1 sealing gasket
6 insulation chambers

MAXIMUM INSULATING GLASS UNIT THICKNESS

48 mm

THERMAL PERFORMANCE

$U_w \geq 0,78 \text{ W/m}^2\text{K}$

ACOUSTIC INSULATION

45 dB

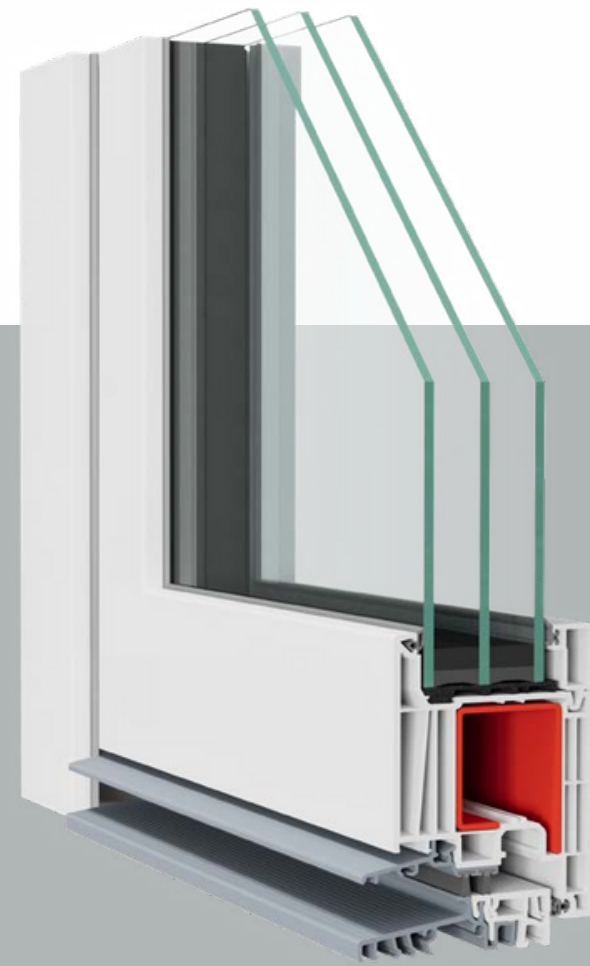
RESISTANCE AGAINST ENVIRONMENTAL CONDITIONS

Class S



deceuninck

Deceuninck windows provide a modern and elegant aesthetic to your home. They stand out with their thermal insulation performance, tested to passive house standards, as well as through their resistance to severe weather conditions. The Deceuninck 76AD variant has a frame depth of 76 mm and a sash measuring 80 mm, which, together with the system's minimalist design makes it suitable for any type of home. The median gasket variant adds another insulation chamber to the same construction dimensions.



*THE PHOTOS ARE FOR INFORMATIONAL PURPOSES ONLY.



OptiFusion

KÖMMERLING 76 AD

PRODUCT GEOMETRY

76 mm

2 sealing gaskets
5 insulation chambers

MAXIMUM INSULATING GLASS
UNIT THICKNESS

48 mm

THERMAL PERFORMANCE

$U_w \geq 0,81 \text{ W/m}^2\text{K}$

ACOUSTIC INSULATION

47 dB

RESISTANCE AGAINST
ENVIRONMENTAL CONDITIONS

Class S



*THE PHOTOS ARE FOR INFORMATIONAL PURPOSES ONLY.

Kömmerling 76 offers all the advantages of modern windows. With a depth of 76 mm, the system can be configured with a six-chamber median gasket seal or as a standard five-chambered double seal. Its design combines contemporary aesthetics with ideal profile proportions. Regardless of your functionality, insulation, durability or environmental friendliness requirements, Kömmerling 76 fits the bill. It allows the use of triple glazed insulating glass units up to 48 mm thick, with a quick and efficient installation.



OptiFusion

KOMMERLING 76 MD

PRODUCT GEOMETRY

76 mm

3 sealing gaskets
6 insulation chambers

MAXIMUM INSULATING GLASS
UNIT THICKNESS

48 mm

THERMAL PERFORMANCE

$U_w \geq 0,78 \text{ W/m}^2\text{K}$

ACOUSTIC INSULATION

47 dB

RESISTANCE AGAINST
ENVIRONMENTAL CONDITIONS

Class S



*THE PHOTOS ARE FOR INFORMATIONAL PURPOSES ONLY.



Kömmerring 76 offers all the advantages of modern windows. With a depth of 76 mm, the system can be configured with a six-chamber median gasket seal or as a standard five-chambered double seal. Its design combines contemporary aesthetics with ideal profile proportions. Regardless of your functionality, insulation, durability or environmental friendliness requirements, Kömmerring 76 fits the bill. It allows the use of triple glazed insulating glass units up to 48 mm thick, with a quick and efficient installation.



©RAVEN windows

OptiFusion

KÖMMERLING 76 AD/MD WITH RENOVATION FRAME

PRODUCT GEOMETRY

76 mm

frame with a **65 mm**
wing 2/3 sealing gaskets
5 insulation chambers

MAXIMUM INSULATING GLASS UNIT THICKNESS

48 mm

THERMAL PERFORMANCE

$U_w \geq 0,78 \text{ W/m}^2\text{K}$

ACOUSTIC INSULATION

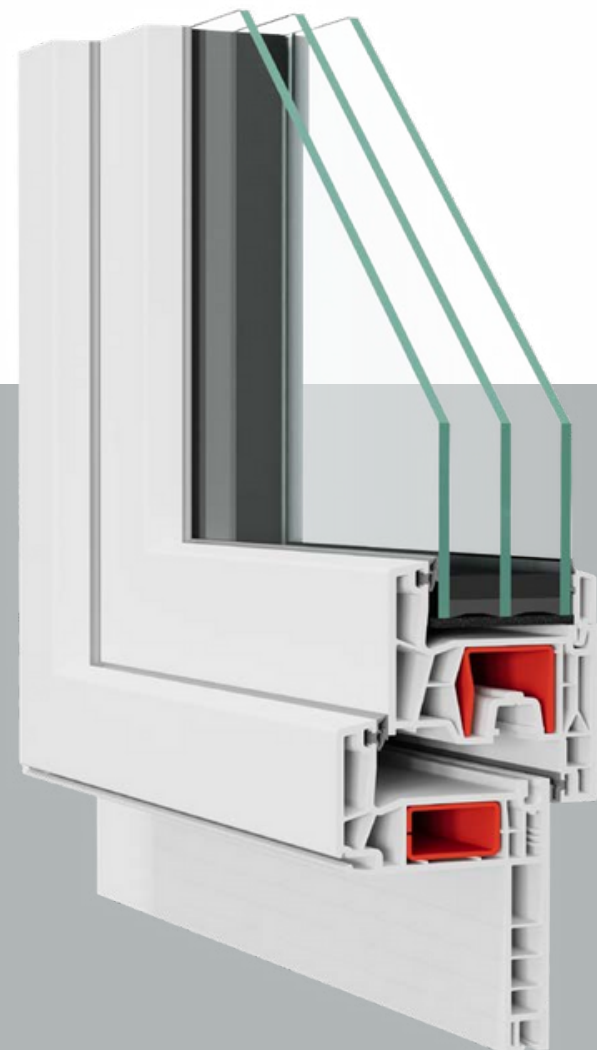
47 dB

RESISTANCE AGAINST ENVIRONMENTAL CONDITIONS

Class S



Kömmerring 76 offers all the advantages of modern windows. With a depth of 76 mm, the system can be configured with a six-chamber median gasket seal or as a standard five-chambered double seal. Its design combines contemporary aesthetics with ideal profile proportions. Regardless of your functionality, insulation, durability or environmental friendliness requirements, Kömmerring 76 fits the bill. It allows the use of triple glazed insulating glass units up to 48 mm thick, with a quick and efficient installation.



*THE PHOTOS ARE FOR INFORMATIONAL PURPOSES ONLY.



©RAVEN windows

OptiFusion

KÖMMERLING 76 DOOR

PRODUCT GEOMETRY

76 mm

2 sealing gaskets
6 insulation chambers

MAXIMUM INSULATING GLASS
UNIT THICKNESS

48 mm

THERMAL PERFORMANCE

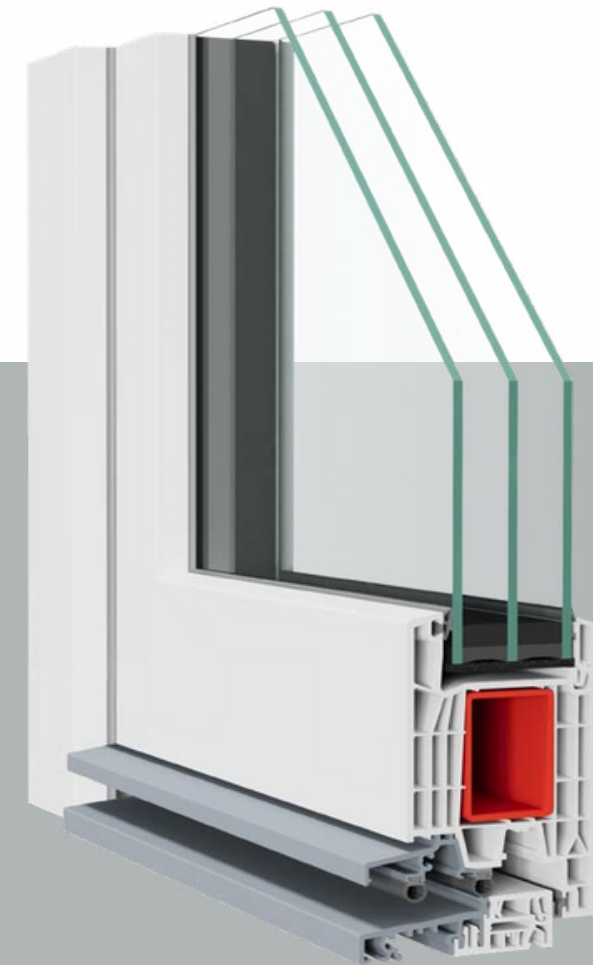
$U_w \geq 0,82 \text{ W/m}^2\text{K}$

ACOUSTIC INSULATION

47 dB

RESISTANCE AGAINST
ENVIRONMENTAL CONDITIONS

Class S



*THE PHOTOS ARE FOR INFORMATIONAL PURPOSES ONLY.

Kömmerling 76 offers all the advantages of modern windows. With a depth of 76 mm, the system can be configured with a six-chamber median gasket seal or as a standard five-chambered double seal. Its design combines contemporary aesthetics with ideal profile proportions. Regardless of your functionality, insulation, durability or environmental friendliness requirements, Kömmerling 76 fits the bill. It allows the use of triple glazed insulating glass units up to 48 mm thick, with a quick and efficient installation.



©RAVEN windows

OptiFusion

DECEUNINCK HS476

PRODUCT GEOMETRY

76 mm

2 sealing gaskets
5 insulation chambers

MAXIMUM INSULATING GLASS
UNIT THICKNESS

48 mm

THERMAL PERFORMANCE

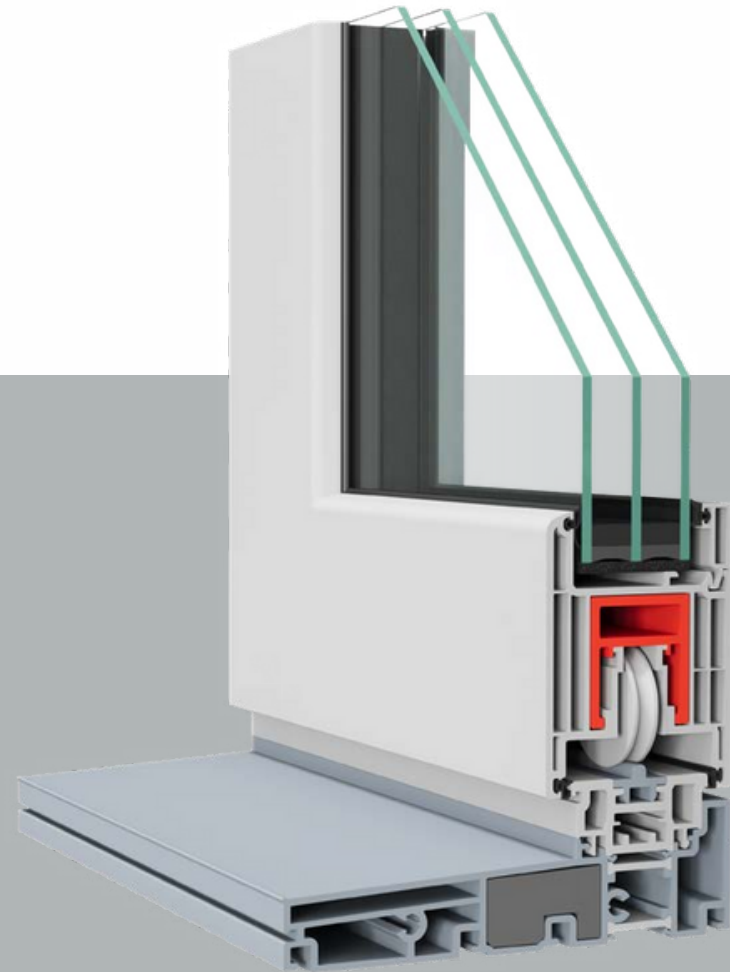
$U_w \geq 0,74 \text{ W/m}^2\text{K}$

ACOUSTIC INSULATION

45 dB

RESISTANCE AGAINST
ENVIRONMENTAL CONDITIONS

Class S



*THE PHOTOS ARE FOR INFORMATIONAL PURPOSES ONLY.



deceuninck

The Deceuninck 76 sliding door series comes with a 5-chambered sash and a frame depth of 76 mm, providing comfort, safety and weather protection. The low threshold facilitates access whilst also ensuring that large elements can be opened and controlled easily.



Aluminum cladding of PVC joinery

Aluminum cladding skilfully combines the best of both worlds. On the one hand, the reliability and resistance of Aluminum which also offers an elegant appearance to the entire system; on the other, the special thermal and acoustic insulation properties of PVC windows & doors.

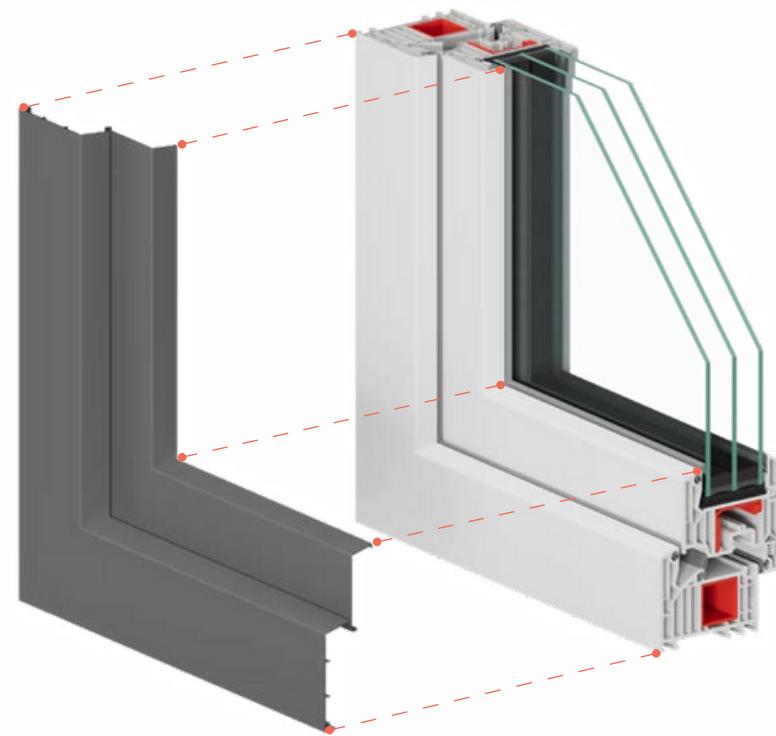
TECHNICAL SPECIFICATIONS

The profiles are cladded only on the outside using extruded aluminum profiles with a thickness of 1.5 mm.

Available in all RAL colors and wood imitations.

Easy to maintain, protects the joinery whilst improving its aesthetics.

High resistance to mechanical and climate factors.



V-Perfect Welding

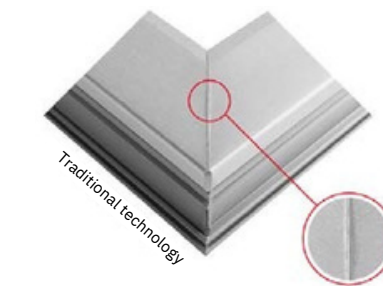
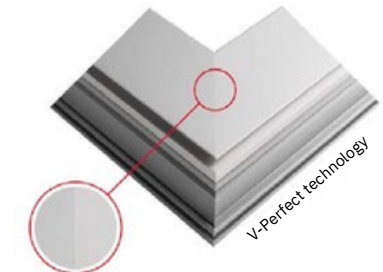
PERFECTION IS RIGHT AROUND THE CORNER



GOOD TO KNOW:

The standard is available for foiled profiles.
The delivery time is the same as for conventional welding.

Thanks to this patented technology, which allows the perfect alignment of the profile junctions and the removal of welding marks, the PVC window's corner finish can reach a quality level as high as in the case of wooden or aluminum windows. The appearance of the V-PERFECT weld answers the current architectural needs, thus addressing the complex and constantly evolving requirements imposed by the market.



Min / Max Size: 300 × 300 / 2800 × 3194

Available for the full range of PVC products

Conventional welding is still available



A quality hardware guarantees the optimal usage and safety of the joinery, OPTIMEDIA offering you both WINKHAUS and MACO solutions. In any variant, the reliability guaranteed at over 15.000 closing-opening cycles, water tightness, multi-point locking and anti-burglary systems are just some of the advantages of the hardware we use. Joineries equipped with our hardware provide protection against incorrect handling and discreet ventilation positions which are secured against burglary attempts.

OPTIMEDIA offers you window handles with a patented security mechanism, Secustik, which prevents the window from being operated from the outside. As standard, the handles and hinge covers can be white or brown, with silver, bronze, gold, black, dark brown or cremeweiss being available on demand. The door handles we offer also cover a wide range of shapes and colors (white, brown, silver or gold).

HARDWARE AND HANDLES

WE OFFER TWO TYPES OF SYSTEMS FOR ENTRANCE DOORS:

Two lever handles inside/outside

A lever handle on the inside and a pull handle on the outside



PVC Handles



Brown

White

Black

Bronze

Silver

Option 1

Option 2

Option 3



Gold

Black

Brown

Bronze

Silver

Cream

White



Door Handles

schüring®

greenteQ



White



Cream



Silver



Brown



Silver

Option 1



White



Silver



Gold



Bronze



Brown



Black

Option 1



White



Silver



Brown

Option 2



White

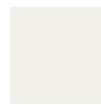


Silver



Brown

Option 3



White



Silver



Gold



Bronze



Brown



Black

Option 2



White



Silver



Gold



Bronze



Brown



Black

Option 3



Option 4

Glass

Glass represents approximately 80% of a joinery's surface. OPTIMEDIA equips its products with SAINT GOBAIN GLASS or GUARDIAN glazings that meet the thermal, acoustic and security requirements, whilst ensuring the desired indoor ambiance. Their winter-summer comfort function maintains a pleasant interior atmosphere throughout the year, with the sheen of its coating giving the space a touch of elegance.

TECHNICAL SPECIFICATIONS

ESG tempered glass is, on average, 4 times more resistant than a standard glass to changes in temperature, strong winds and impacts. When cracked, it breaks down into small pieces without any sharp edges.

Laminated glass is composed of two or more simple glass sheets glued together with a PVB film which, in case of breakage acts as a medium to which the shards remain glued, therefore preventing possible accidents.

Tempered glass aims to protect both users against accidents and buildings against break-ins.

For design purposes or to protect you from prying eyes, OPTIMEDIA offers you a wide range of decorative glass with a large number of models, textures and colors.

Also, for added style and elegance, you can choose between georgian and astragal bars. These can be of different sizes, colors and shapes, made of PVC or Aluminum.



Tempered glass:

Optimedia ESG

ESG is a type of glass that, following the tempering process, shows a considerably higher resistance to mechanical and thermal stresses compared to ordinary glass (including laminated glass). In case of breakage, ESG glass fragments into small pieces with blunt edges. Its superior mechanical properties recommend it for large glazed elements.

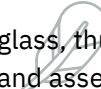
USES:

Architectural: all types of interior or exterior windows, doors and glass assemblies, consisting of independent or linked elements, facades, glazed roofs, stairs and even glass floors;

Urban furniture: telephone booths, public transport stations, parapets;

Interior furniture: table tops, shower cabins, shelves, furniture.

WHY ESG (TEMPERED) GLASS?

 ESG glass is 50% lighter than laminated glass, thus facilitating its transport and assembly whilst at the same time extending the joinery's life by reducing the load on the hardware.



It is 5 times more resistant to tension, shocks and bending stresses compared to an ordinary or laminated glass of the same thickness.



It reduces the risk of injury in case of breakage, by fragmenting into small, blunt pieces and limits the risk of break-ins.

Color palettes

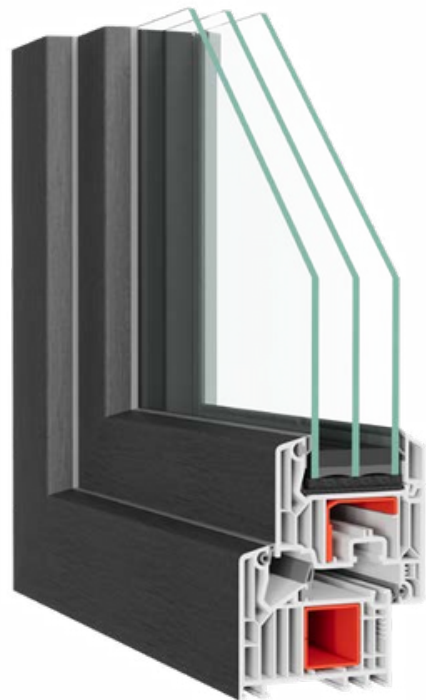
With a palette of over 100 colors and effects (different wood imitations as well as solid matte or metallic colors) we offer a customized solution for everyone's taste, ensuring diversity, durability and color resistance over time.

You can opt for white on two sides, white on the inside/color on the outside or color on both sides.

The three options for gaskets perfectly complement the profile offer. Depending on OPTIMEDIA's standard regarding gasket to PVC body color combinations, the available options are: gray gaskets on white and cream profile bodies, black gaskets on gray and brown bodies and caramel gaskets on caramel bodies.

GROUP 1

ANTHRAZITGRAU



ANTHRAZITGRAU
GLATT



JET BLACK SFTN



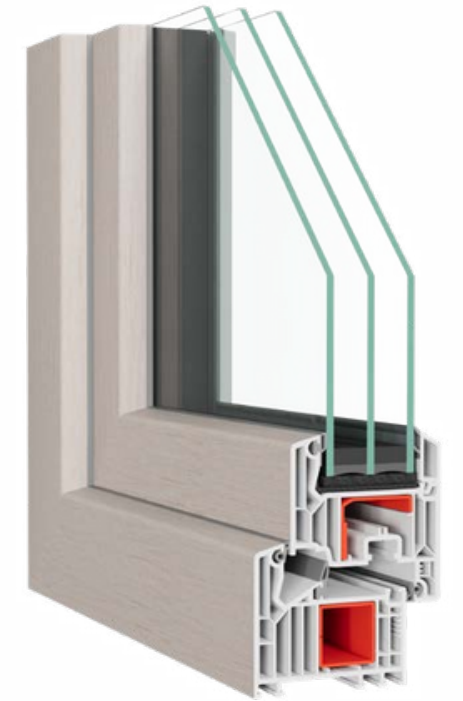
CREMEWEISS



MOOREICHE ST-F



SHEFFIELD OAK
LIGHT



GOLDEN OAK



NUSSBAUM



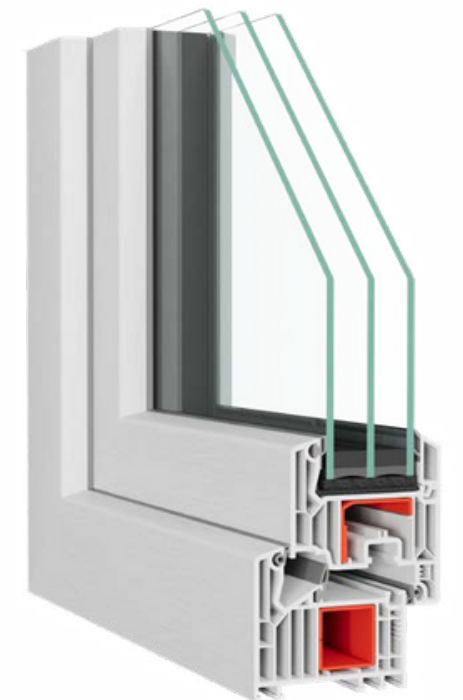
GRAU



QUARZGRAU



WEISS



GROUP 2

GROUP 3










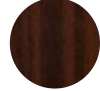









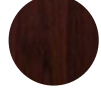











































Color reproductions are only partial and approximate. For the complete and accurate color range, please **consult the official OPTIMEDIA color palettes.**

AVAILABLE BODY COLOR OPTIONS:

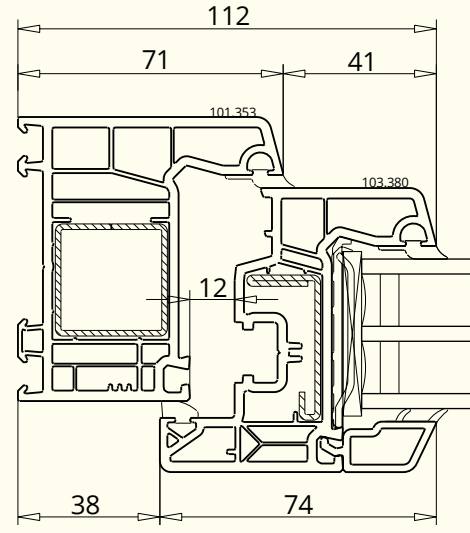
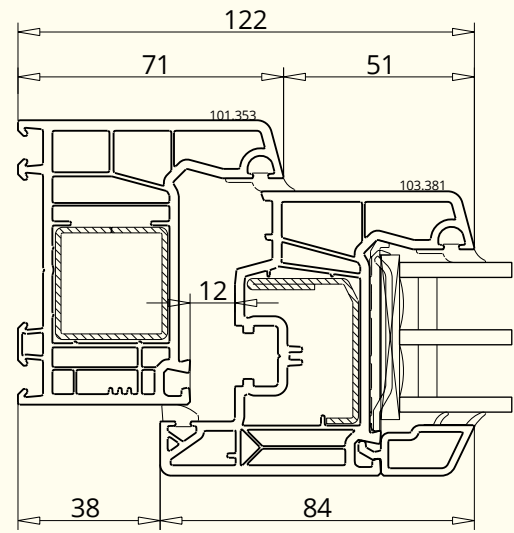
- OptiFusion VEKA 76 - white, cream, brown, caramel, gray
- OptiFusion DECEUNINCK - white, gray
- OptiFusion KOMMERLING 76 - white, brown, caramel
- OptiFusion DECEUNINCK HS - white

COLORS OF THE GASKETS IN THE CASE OF LAMINATED PROFILES

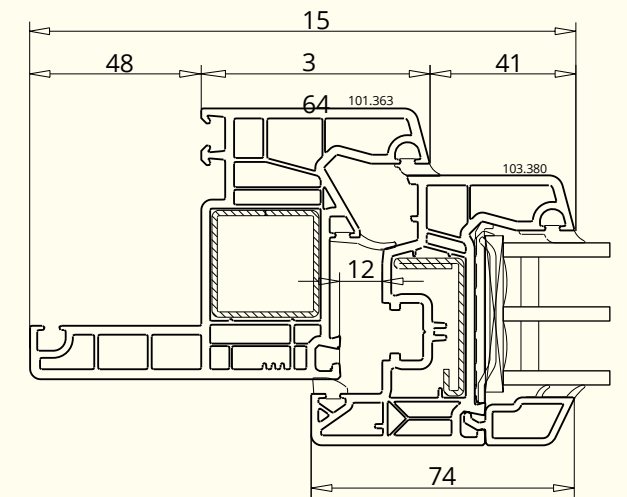
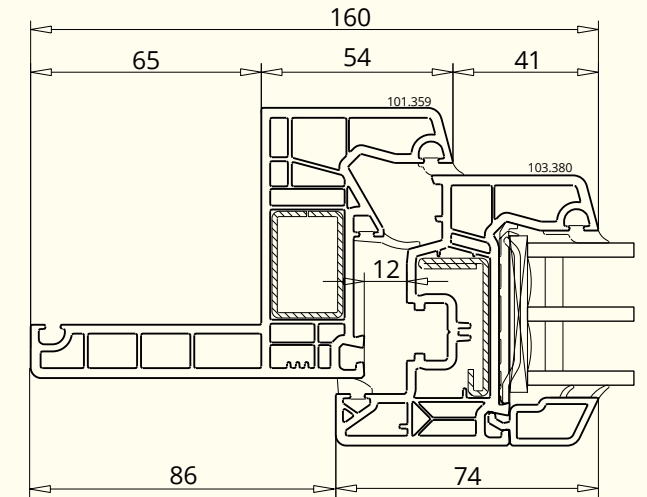
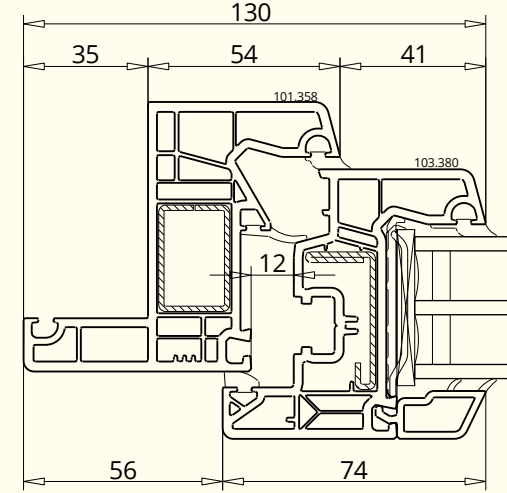
- Gray gasket - White profile, Ivory profile
- Black gasket - Gray profile, Brown profile
- Caramel gasket - Caramel profile

							
Achatgrau	Metbrush Messing	Douglasie	Alux Graualuminium	Zinkgelb	Macore	Oregon	Shogun AD
							
Aluminium Geburstet	Sapeli	Siena Noce	Bergkiefer	Crown Platin	Metbrush Anthrazitgrau	Papyrusweiss	Shogun AF
							
Alux DB 703	Schiefergrau	Siena Rosso	Black Cherry	Dunkelgrun	Metbrush Platin	Pastelgrun	Signalgrau
							
Basaltgrau	Schokobraun	Brillantblau	Dunkelrot	Metbrush Quarzgrau	Quarz Platin	Stahlblau	
							
BrillantWeiss	Schwarzbraun	Betongrau	Earl Platin	Metbrush Silver	Quarzgrau Glatt	Weinrot	
							
Eiche Dunkel FL-F1	Schiefergrau Glatt	BraunMaron	Eiche Hell	Moosgrun	Rustic Cherry	Achatgrau Glatt	
							
Grau Glatt	Basaltgrau Glatt	Kobaltblau	Eiche Rustical	Mountain Oak	Schwarzgrau	Black Smooth 2	
							
Hellelfenbein	Streifen Douglasie	Rosewood	Irish Oak	Anthrazitgrau Ultimatt	Sheffield Oak Grey		
							
Lichtgrau	Winchester XA	Schwarzgrau Glatt	Jet Black Stylo	Black Ultimatt	Shogun AC		

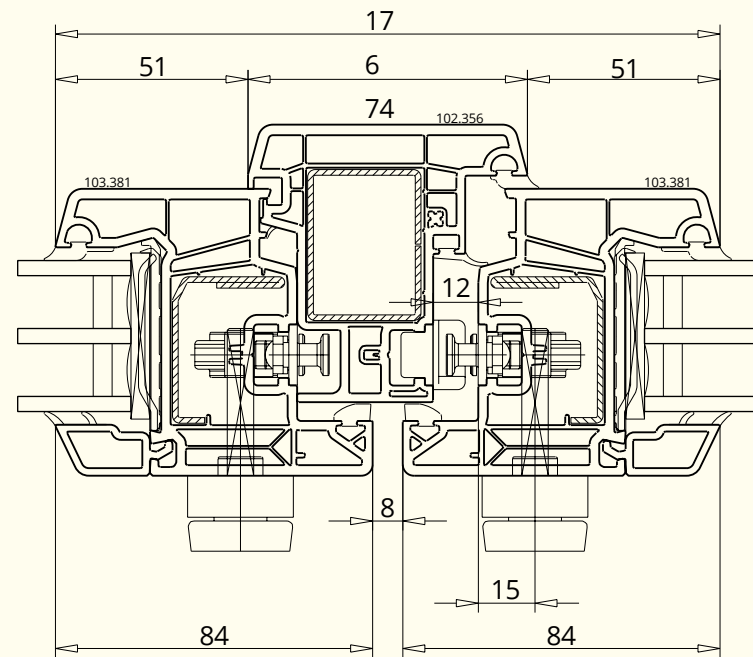
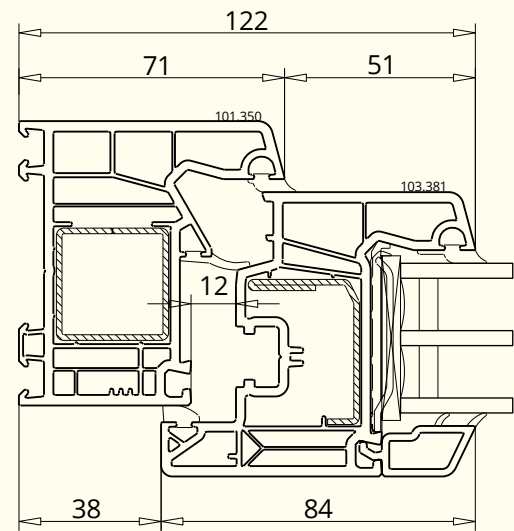
OptiFusion VEKA 76 AD



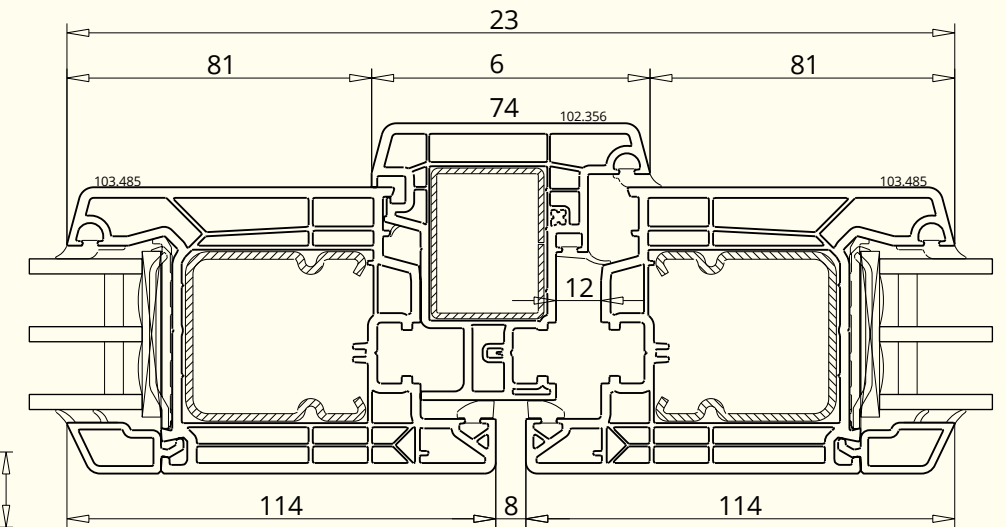
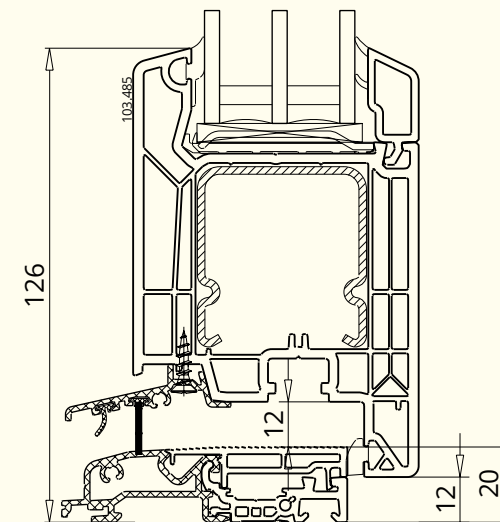
OptiFusion VEKA 76 WITH RENOVATION FRAME



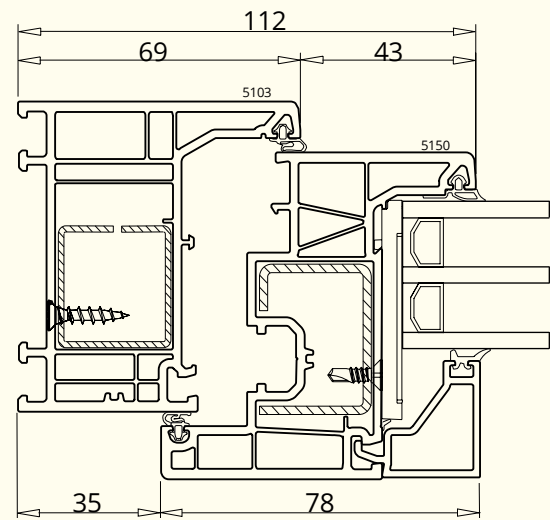
OptiFusion VEKA 76 MD



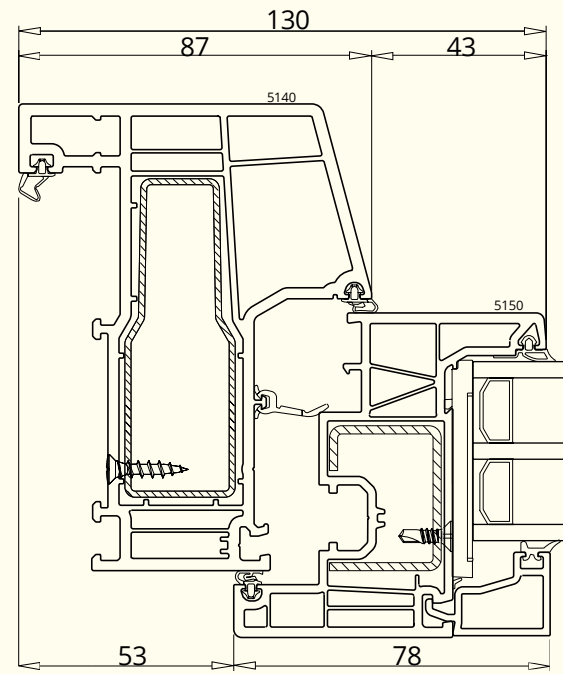
OptiFusion VEKA 76 DOOR



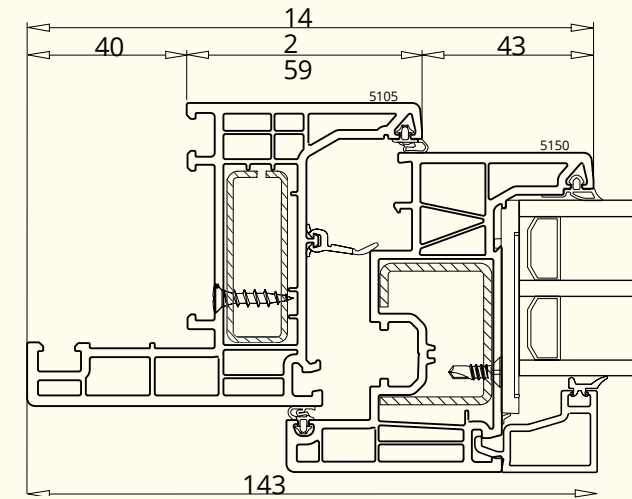
OptiFusion DECEUNINCK 76 AD



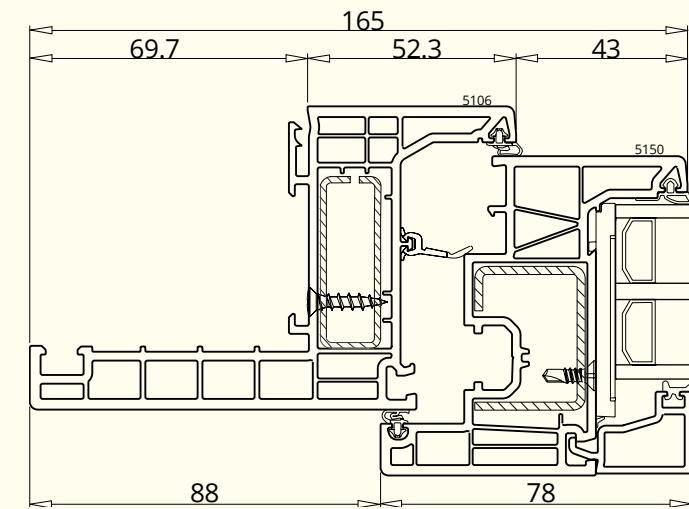
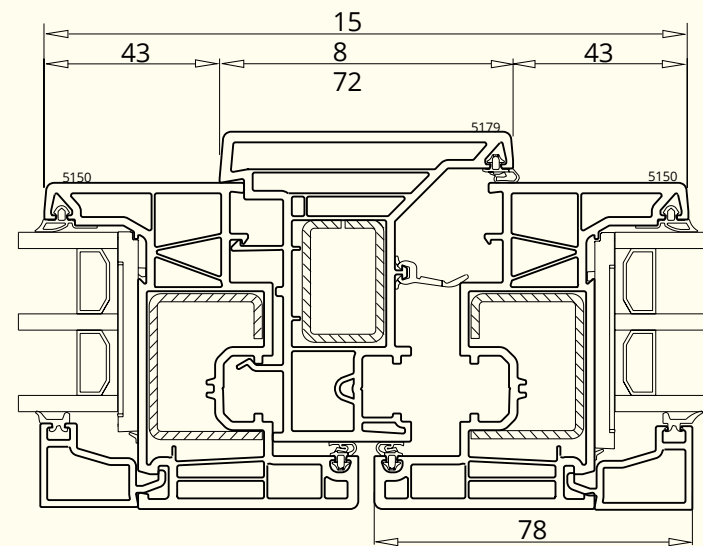
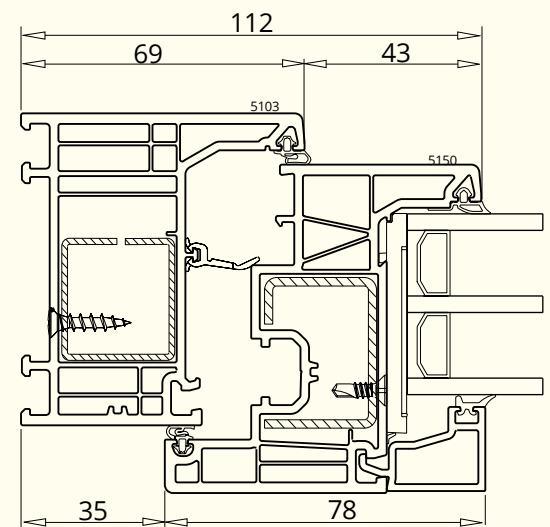
OptiFusion DECEUNINCK 76 NL



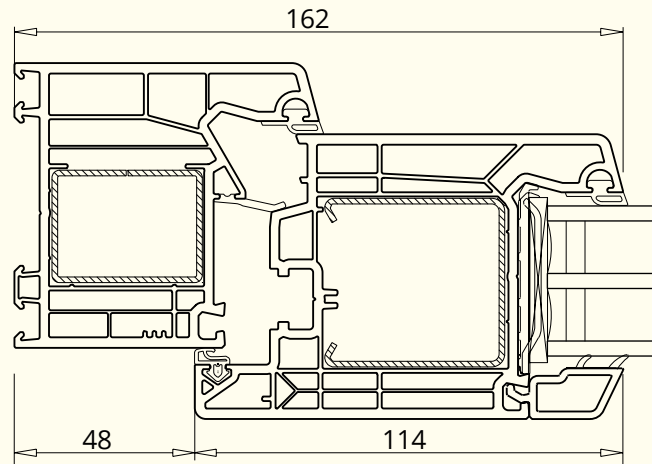
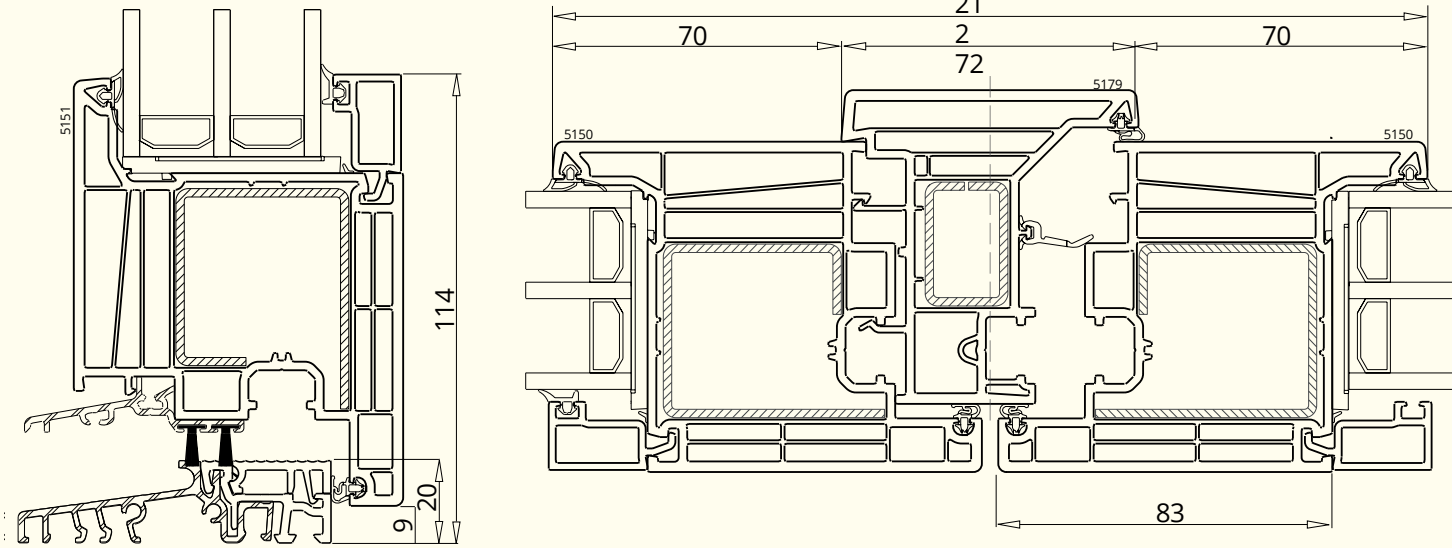
OptiFusion DECEUNINCK 76 WITH RENOVATION FRAME



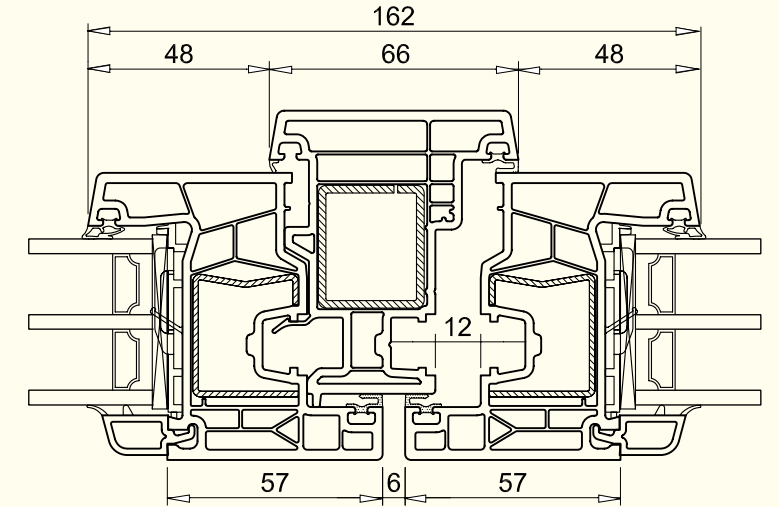
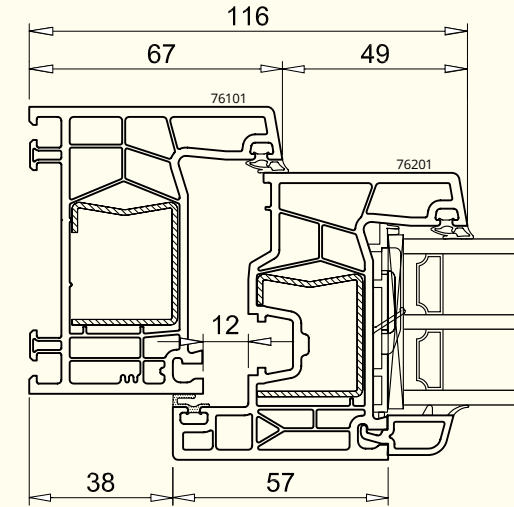
OptiFusion DECEUNINCK 76 MD



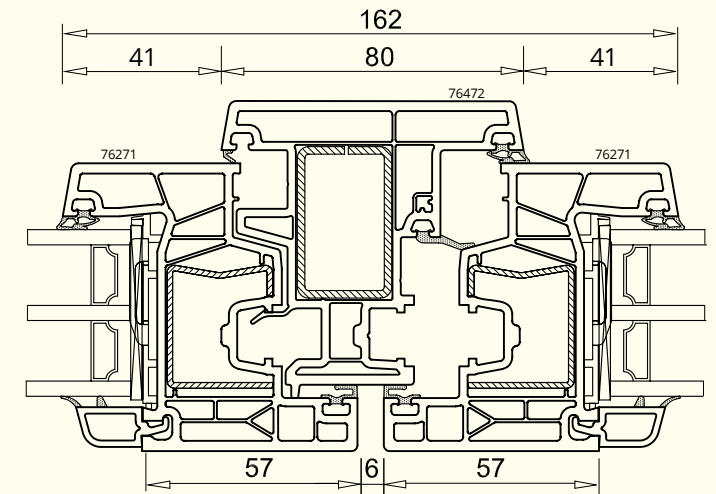
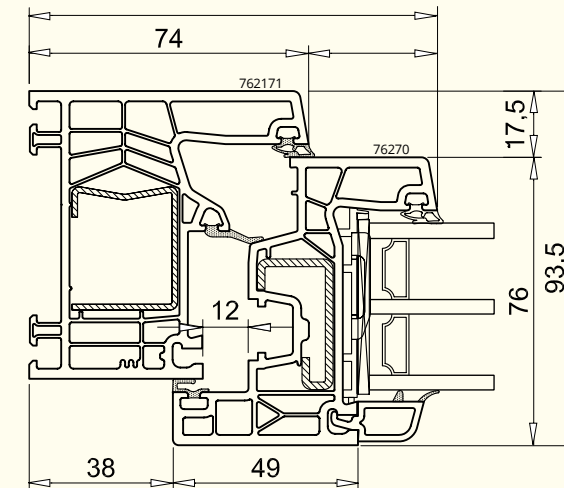
OptiFusion DECEUNINCK 76 DOOR



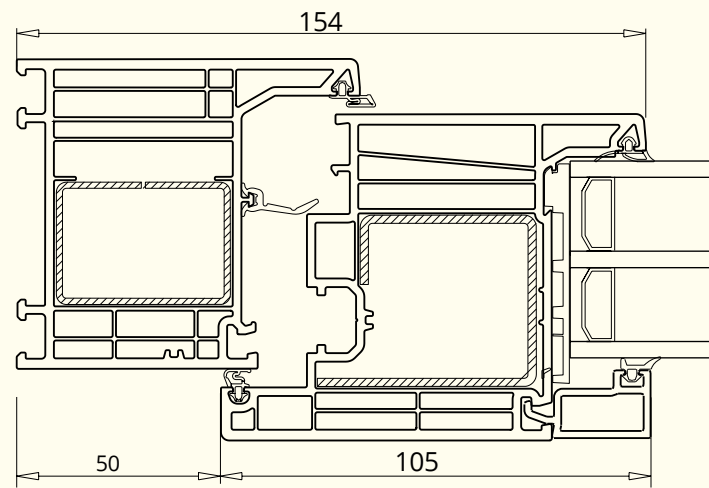
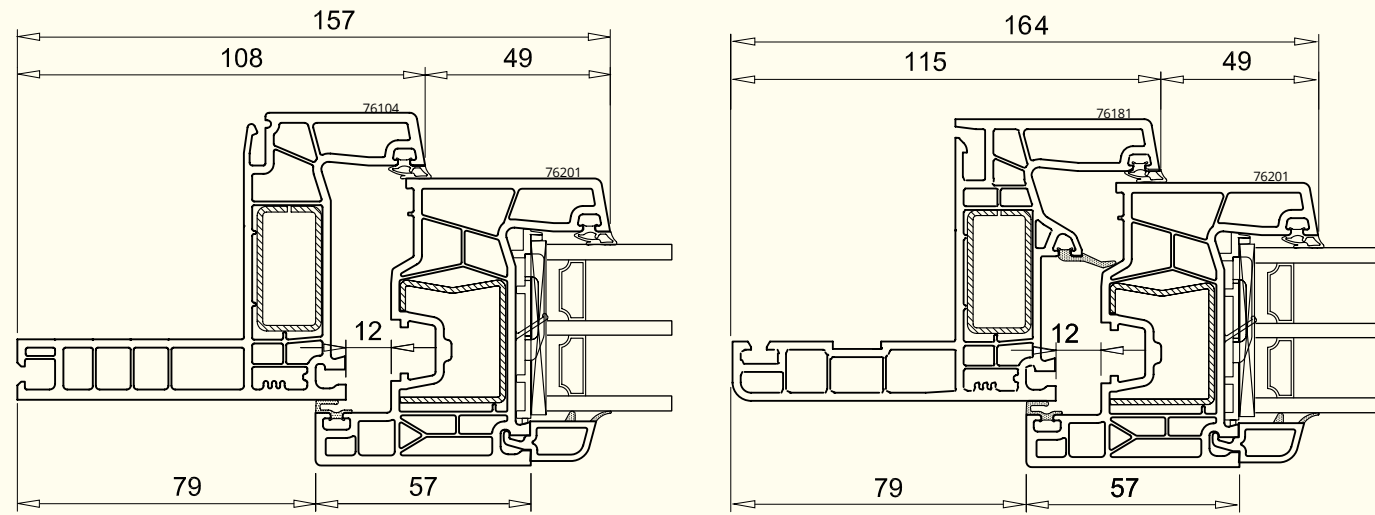
OptiFusion KOMMERLING 76 AD



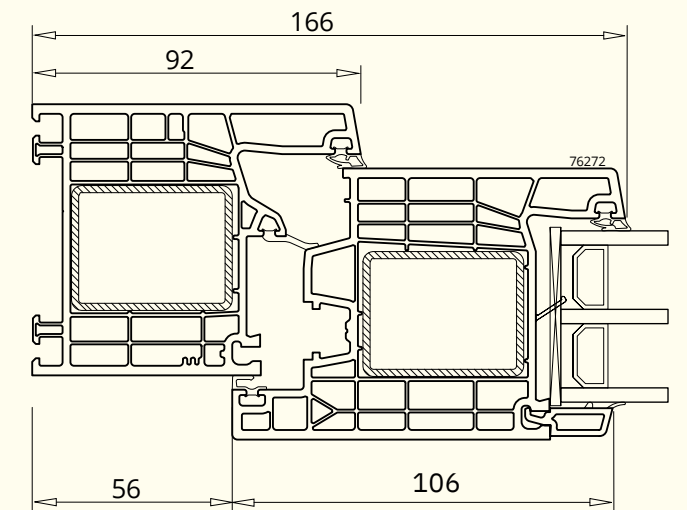
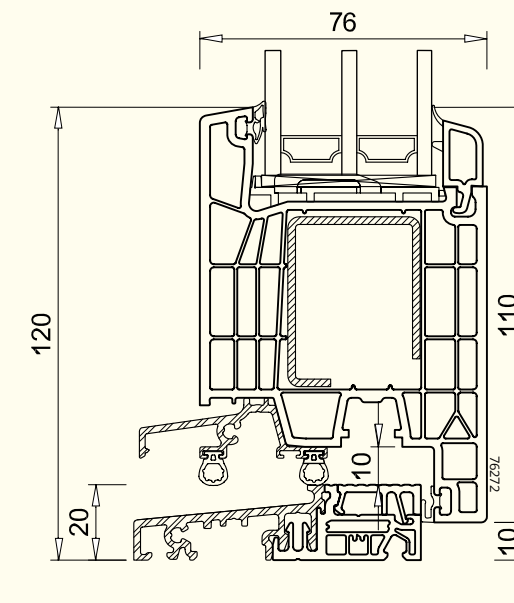
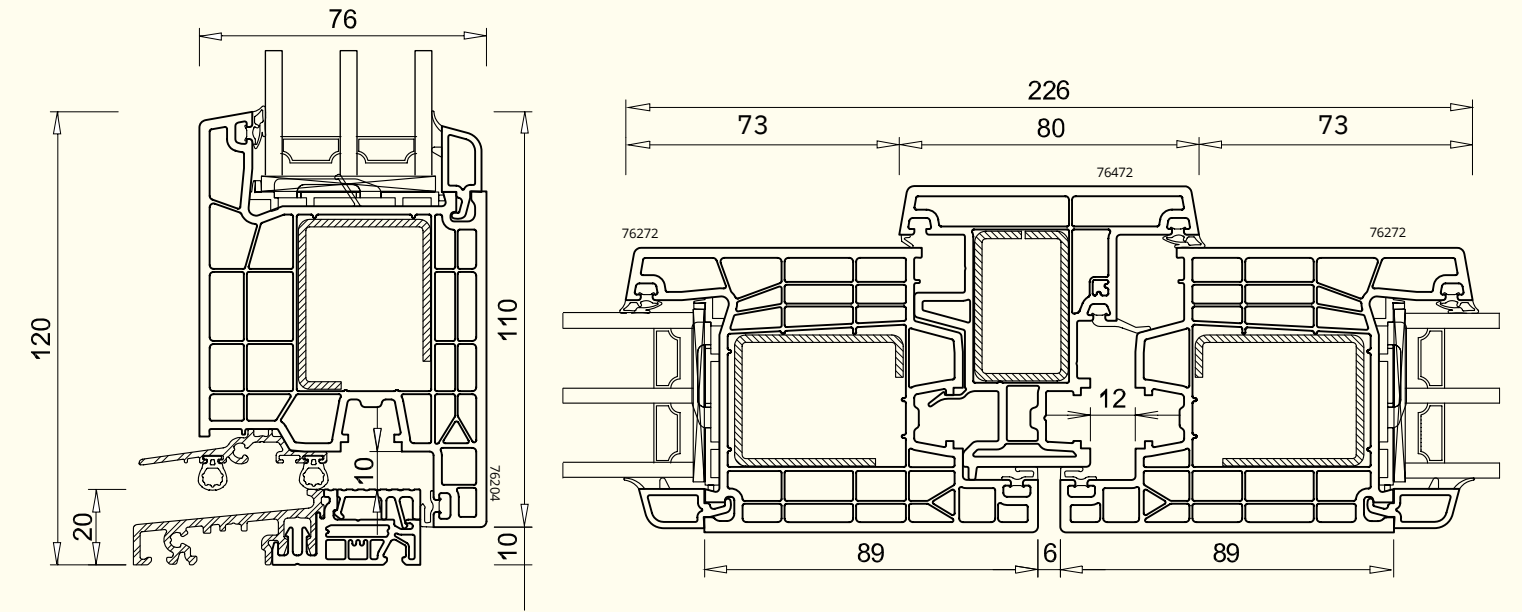
OptiFusion KOMMERLING 76 MD



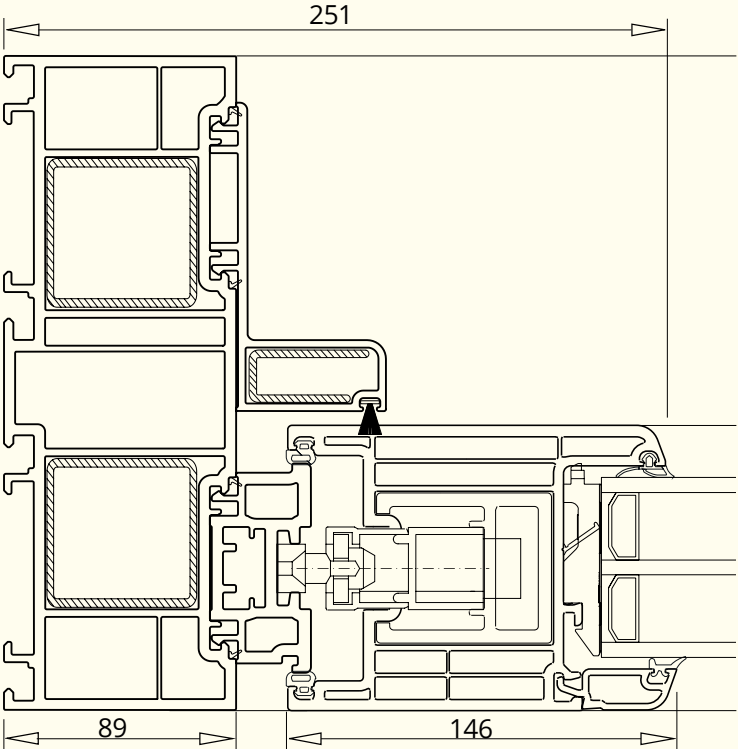
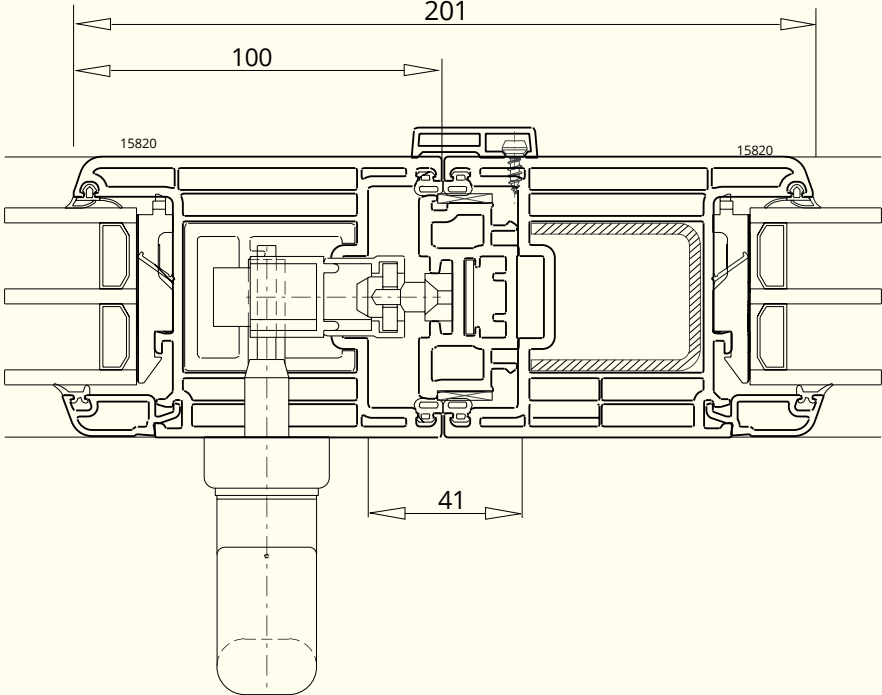
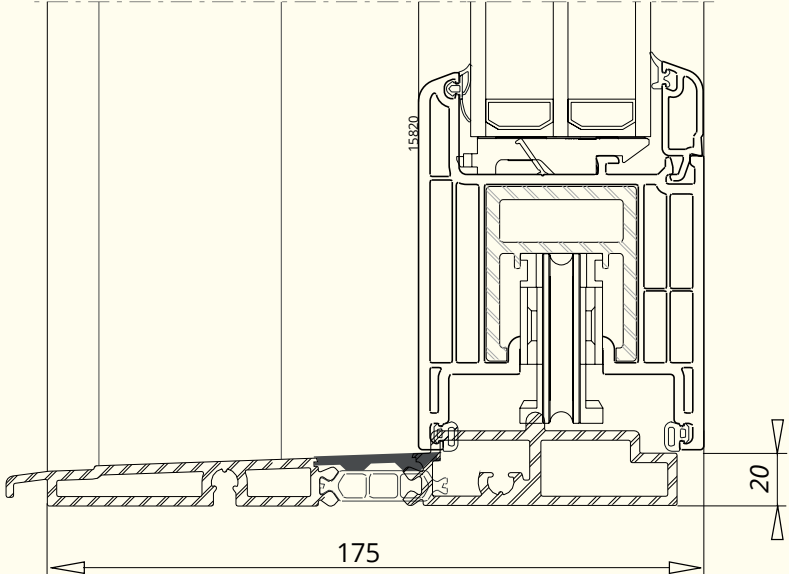
OptiFusion KOMMERLING 76 WITH RENOVATION FRAME



OptiFusion KOMMERLING 76 DOOR



OptiFusion DECEUNINCK HS476



Join the Optimedia team

We are constantly recruiting agents to represent Optimedia. We export to all continents and offer extensive sales support and packages so you can be an exceptional dealer in your area.



Contact

 [optimedia](#)

 [Optimedia SRL](#)

 [optimedia.eu](#)

 [optimedia.eu](#)





S.C. OPTIMEDIA S.R.L.
Calea Sântandrei, nr. 38
410238, Oradea, România
+40 259 442 821
worldwide@optimedia.eu

optimedia.eu